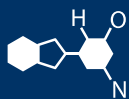


IF YOU...



MIX IT. FILL IT. PACK IT. SHIP IT.

WE HAVE A **PRODUCT** FOR YOU

Part #67W05W

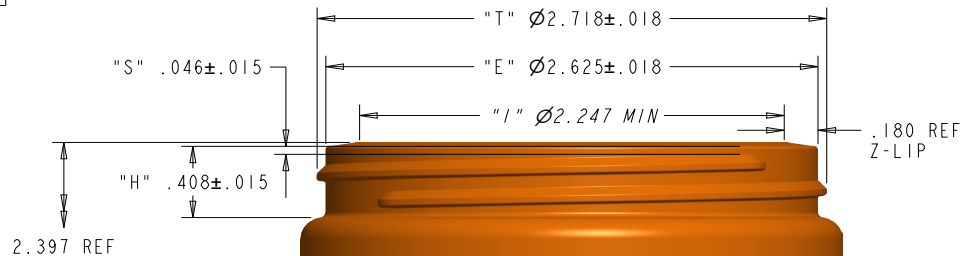
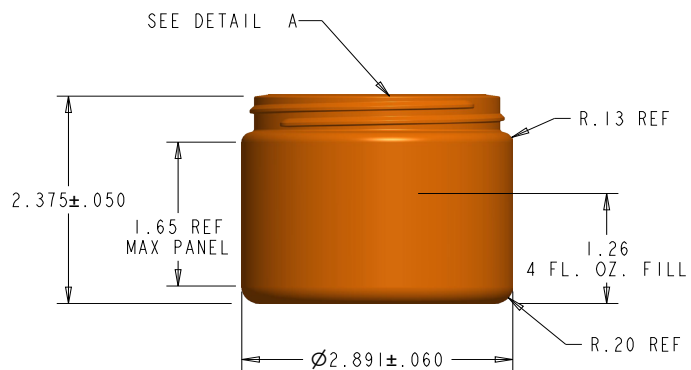
Wide Mouth Plastic Jars

4 oz. White HDPE Plastic Wide Mouth Jar,
70mm 70-400

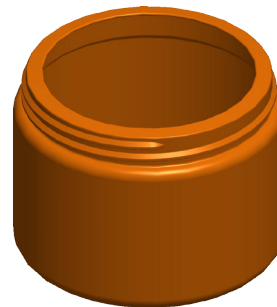


The
CARYCOMPANY
Est. 1895

REV	ECR	DESCRIPTION	BY	DATE
CDA	-	CONCEPT RELEASE - Replaces 4JR2EX70M400	STB	04-Nov-22
A	-	PRODUCT RELEASE	STB	12-Dec-22
B	-	SPECS UPDATED PER SR #23623: "T" (2.719), MIN WALL (.015), OFC (223), WT TOL (+/-2), "T" & "E" TOL (+/-0.017)	STB	21-Mar-23



DETAIL A
THREAD FINISH
1.25 THREAD TURN
6 TPI
SCALE 2.000



01				
No	WEIGHT (g)	OVERFLOW (cc)	MIN WALL (in)	
TITLE: 4oz 70-400 Smooth Jar				
TOLERANCES: UNLESS OTHERWISE SPECIFIED		DRAWN BY: S. Byrne	NECK: M70-400	WEIGHT (g): 17.0 ± 1.0
DECIMALS .XX ±	DATE: Nov-01-22	MIN WALL (in): 0.015	CUSTOMER: STOCK	OVERFLOW (cc): 215 ± 6
.XXX ±	SCALE: 1.000	SHEET: 1 OF 1	MATERIAL: HDPE	3D FILE No: 40A1207
.XXXX ±	Ref No: Mold #401089			DRAWING No: 40A1207
FRACTIONS ±				REV: B
ANGLES ±				