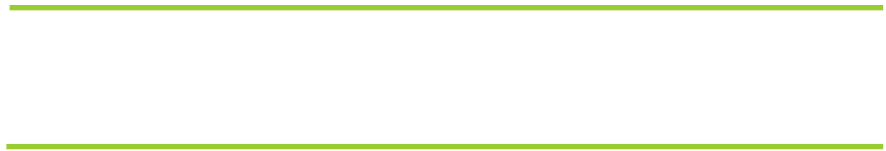


IF YOU...



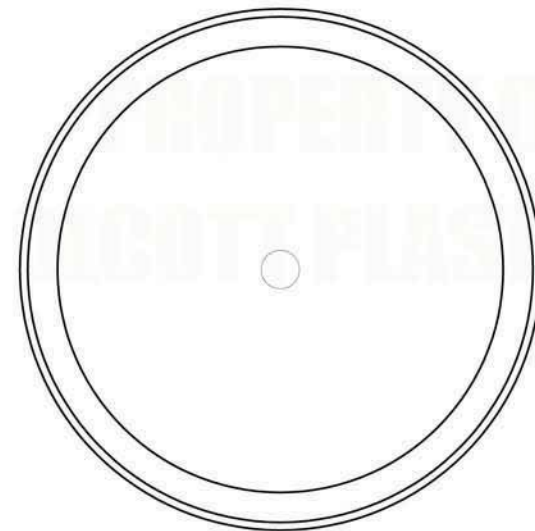
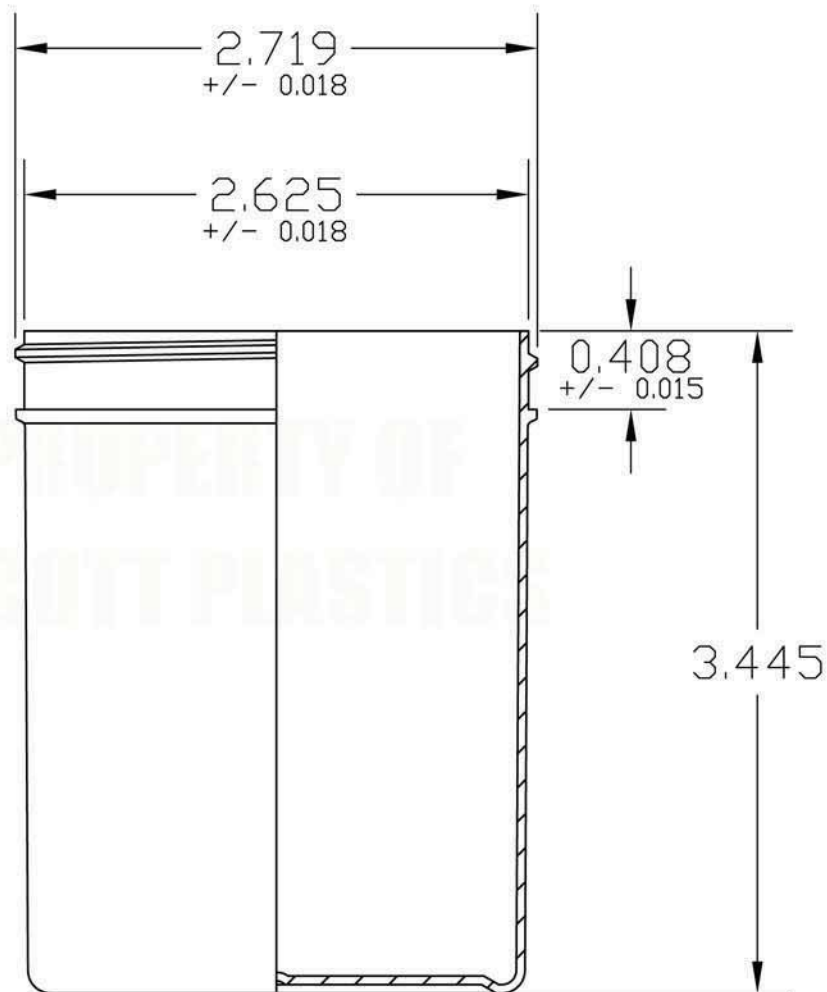
MIX IT. FILL IT. PACK IT. SHIP IT.

WE HAVE A **PRODUCT** FOR YOU



Part #	67W08B
Capacity	8 oz.
Color	Black
Material	PP
Dimensions	2.625" Dia. x 3.445"H
Neck Finish	70-400
Neck Width	70mm
BPA Free	Yes
FDA Approved	Yes
Case Pack	200 ea.
Pallet Pack	4,000 ea. (20 Cases)





Supplied By: **The Cary Company**
 Ph: 630-629-6600
 www.thecarycompany.com

PART NAME:		PART #		REV:	
8oz 70mm STRAIGHT SIDE JAR		67W08B, 67W08C, 67W08N, 67W08W			
PITCH: 6 TPI	DECO AREA:	DESIGNED: GCP	DATE: 07/15/02	TOLERANCE	
DRAFT ANGLE: 1.0 °	WRAP 7.500 I N.	CHECKED: ST	DATE: 11/12/03	DIM.	TOL.
WEIGHT EST: 27 GRAMS	HEIGHT 2.500 I N.	SCALE: FULL		.00	.015
OVERFLOW: 294.9 M L	GATE: CENTER	MATERIAL: POLYPROPYLENE		.000	.010
COSMETIC: 257.5 M L		SHRINKAGE: 0.015 INCH/INCH		ML.	±7%

Spec. # MSB012-030