

IF YOU...



MIX IT. FILL IT. PACK IT. SHIP IT.

WE HAVE A PRODUCT FOR YOU

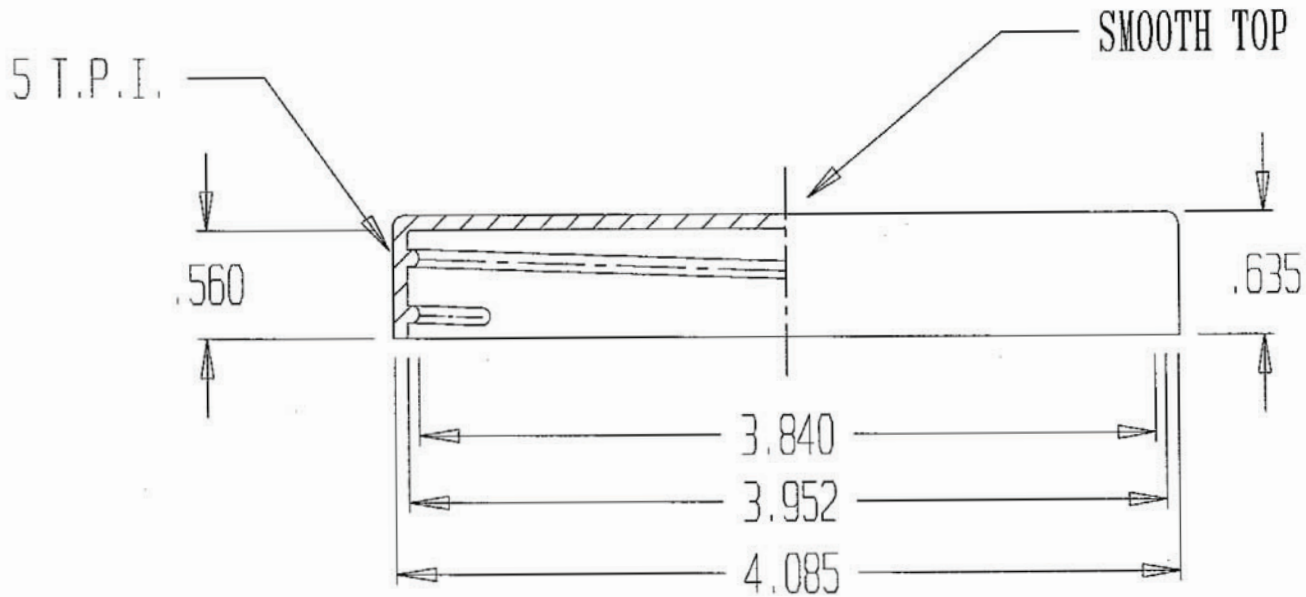


Part #	67W101
Neck Width	100 mm
Neck Finish	100-400
Cap Liner	Unlined - No Liner
Color	Black
Material	PP
Case Pack	256 ea.
Pallet Pack	8,690 ea. (35 Cases)
Case Weight	14 lbs.
Case Dimensions	20.25" x 13.875" x 15.5"

REVISIONS

REV.	DATE	APPROVAL	DESCRIPTION
1	04-08-03	G.G.	"E" DIMENSION
X2	06-28-04	G.G.	"T", TOLERANCE

*mpd
06/28/04*



UNCONTROLLED

"T"	"E"	"H"	"A"	"B"
3.952	3.840	.560	4.085	.635
MATERIAL: POLYPROPYLENE				
WEIGHT: 20 GRAMS (+/- 1.5 grams)				

"S" 100 M.M./400 CAP		
 Supplied By: The Cary Company Ph: 630-629-6600 www.thecarycompany.com		
TOLERANCE: +/- .014	DRAWN BY: P.D.T.	
SCALE: FULL	DATE: 7-1-97	DRAWING NO. C-1018