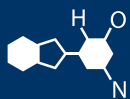


IF YOU...

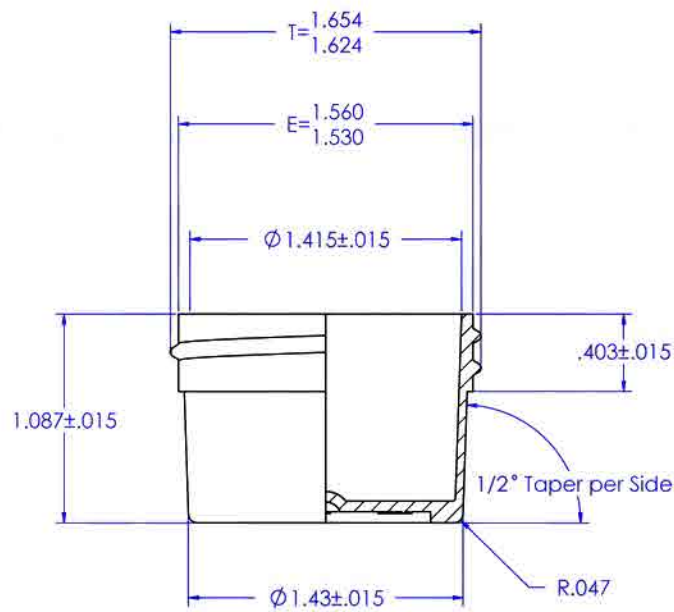


MIX IT. FILL IT. PACK IT. SHIP IT.

WE HAVE A **PRODUCT** FOR YOU

Part # 67W13C





DECORATION AREA

WRAP: 4.3 inch
 HEIGHT: 0.46 inch
 DRAFT: 1/2° per Side

NAME	DATE
W. OTT	11/09/2012
MATERIAL	PP
APPROX WEIGHT:	.5.5 grams
APPROX OVERFLOW:	23.5 ml
THREAD:	"L" STYLE, 6 TPI PITCH

PART DESCRIPTION:	
1/2oz 43mm-400 Regular Wall Jar	
SIZE A	PART CODE
REV. -	

TOLERANCE		REV.	DATE	DESCRIPTION
DIM.	TOL.			
.00	.015			
.000	.010			

