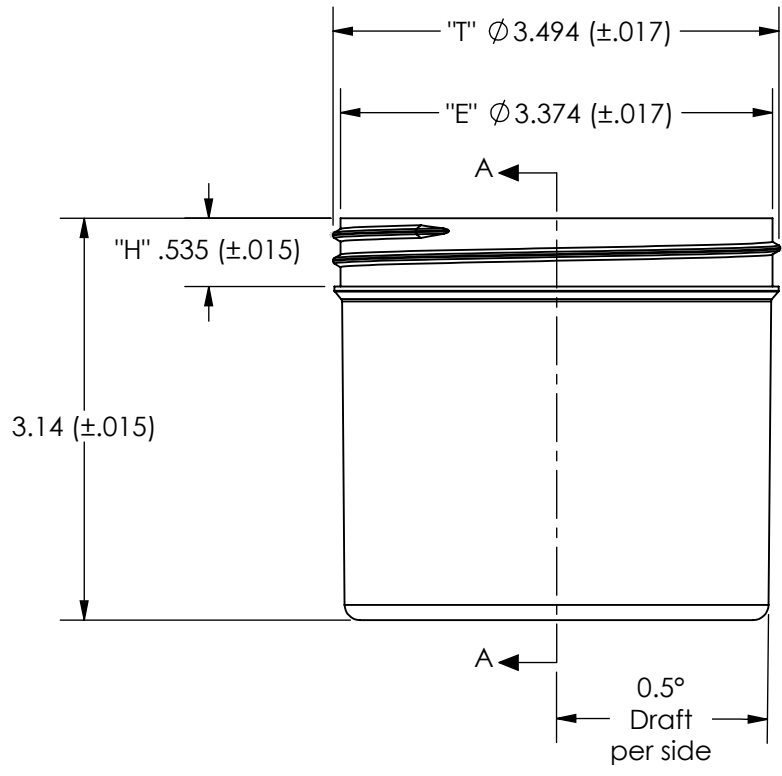
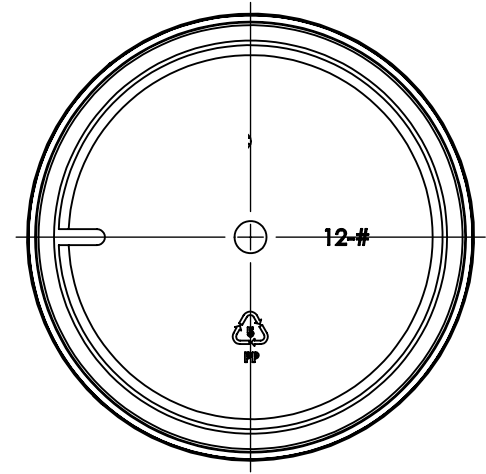
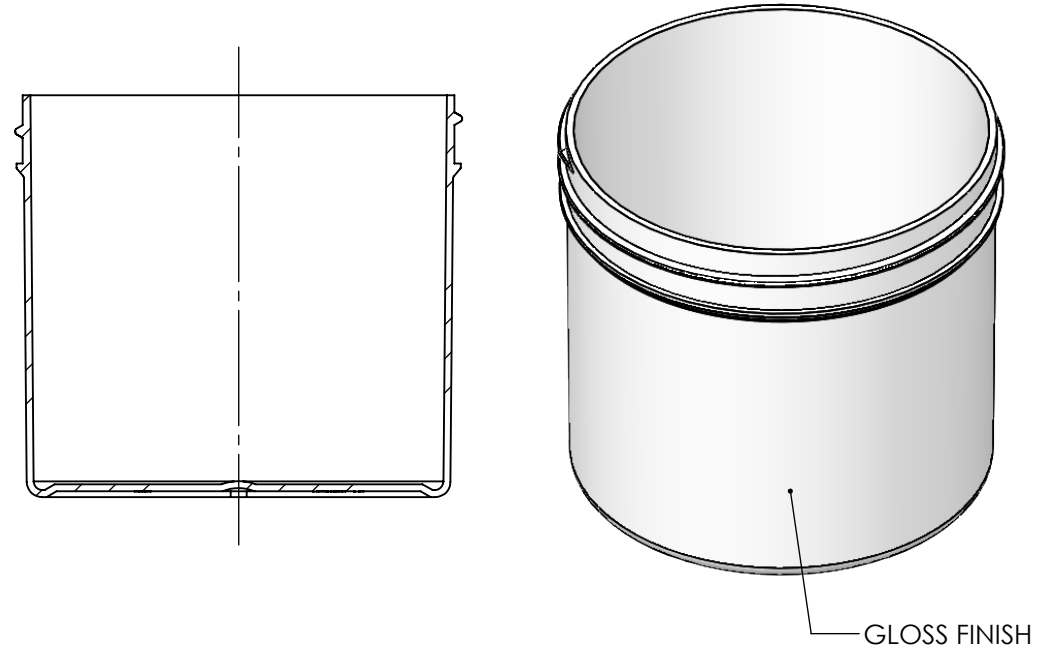


NOTE: Contact The Cary Company to confirm most recent dimensions prior to manufacturing of componentry.



SECTION A-A



DRAWING NAME:		PART DWG - 67W13W		
PART NAME:	12 oz 89 mm Straight Side Jar	PART #:	JSS1289PP : MJS008-051	
		REV:	F	
		2019	BY:	DATE:
		DRAWN	S.B.	6/7/2019
		CHECKED	S.B.	6/7/2019
		APPROVED	D.J.C.	6/7/2019
THREAD PITCH:	5 T.P.I.	# OF THREAD TURNS:	1-1/4 TURNS	
DRAFT ANGLE:	0.5° Degree	PROJECTED COSMETIC FILL:	340 (\pm 11) mL 11.5 (\pm .4) OZ	
GATE LOCATION:	EXTERIOR - CENTER	PROJECTED OVERFLOW:	405 (\pm 11) mL 13.7 (\pm .4) OZ	
MATERIAL:	POLYPROPYLENE	PART WEIGHT:	30.7 Grams (\pm 5%)	
TOLERANCES (UNLESS SPECIFIED)		DIMENSIONS ARE IN INCHES		
		.00	= \pm .015	
		.000	= \pm .010	
ANGULAR TOLERANCE		\pm 1/2 DEGREE		
THIRD ANGLE PROJECTION				
SHEET SCALE:	FULL	SHEET SIZE:	A	