

IF YOU...



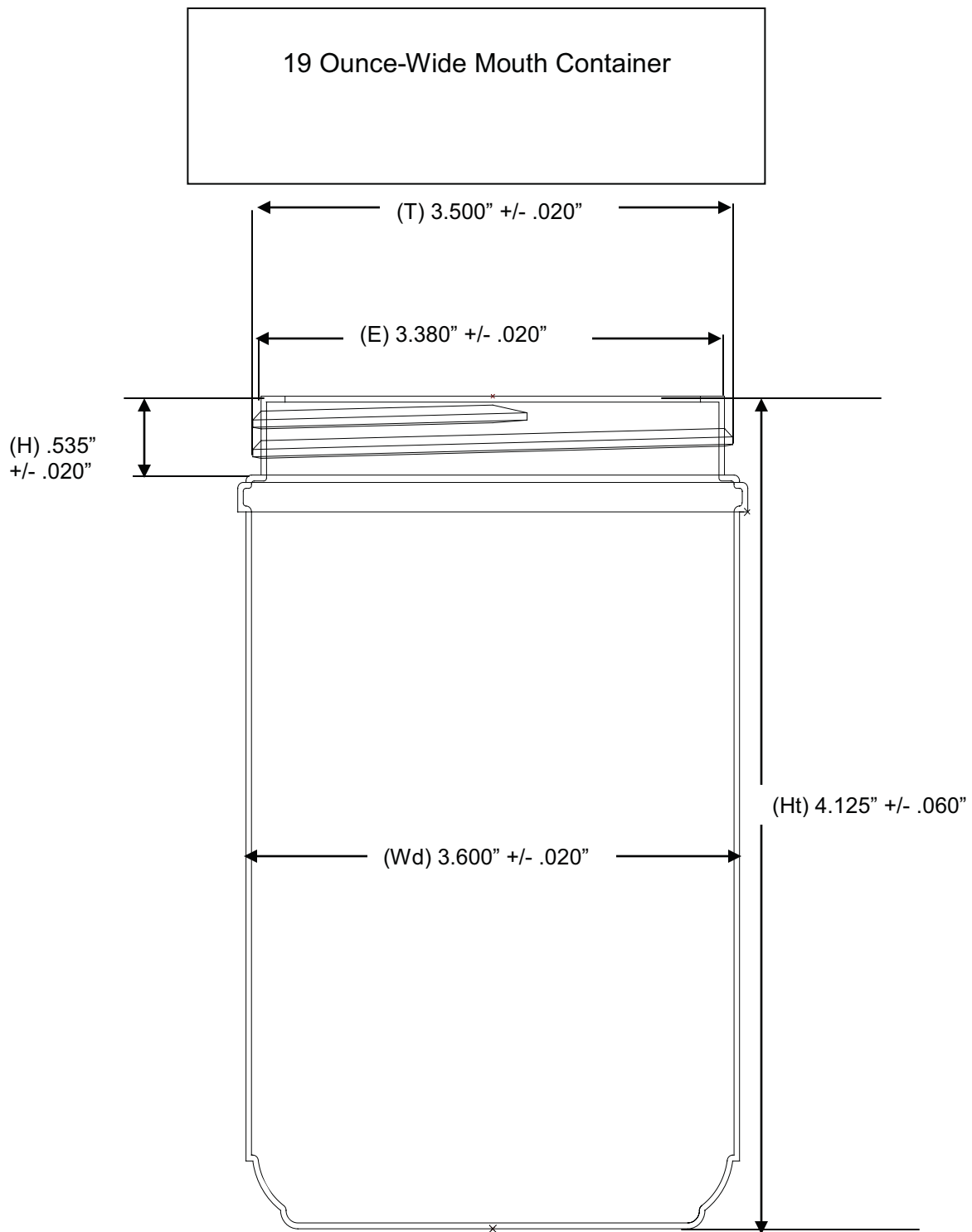
MIX IT. FILL IT. PACK IT. SHIP IT.

WE HAVE A PRODUCT FOR YOU



| | |
|--------------|----------------------|
| Part # | 67W19W |
| Capacity | 19 oz. |
| Color | White |
| Material | HDPE |
| Dimensions | 3.6" Dia. x 4.125"H |
| Neck Finish | 89-400 |
| Neck Width | 89mm |
| BPA Free | Yes |
| FDA Approved | Yes |
| Case Pack | 216 ea. |
| Pallet Pack | 2,592 ea. (12 Cases) |





| | |
|---|---|
| Lid: 89mm | Gram Weight: 31.5 grams +/- 2.0 |
| Wall Thickness Minimum: .015" | Colors: Stock: White (custom colors available) |
| Neck Finish: 89mm Single Lead Thread | Material: High Density Polyethylene |



PH 630-629-6600 - FX 630-629-3690
 1195 W. FULLERTON AVE. - ADDISON, IL 60101
 WWW.THECARYCOMPANY.COM