

# IF YOU...



MIX IT. FILL IT. PACK IT. SHIP IT.

# WE HAVE A PRODUCT FOR YOU

Part #67W28F

Continuous Thread Caps

**28mm 28-400 Black Ribbed (Matte Top)  
Plastic Cap w/HIS for HDPE**



The  
**CARY**COMPANY  
Est. 1895



## Specifications:

**DIAMETER** 28 mm

**THREAD PROFILE** 400

**NECK FINISH** 28-400

**CLOSURE TOP** Stipple

**CLOSURE SIDEWALL** Fine Ribbed

**MATERIAL** PP

### PACKAGING & FREIGHT INFORMATION

**CARTON DIMENSIONS:** 24 x 8 x 15

**PALLET DIMENSIONS:** 48 x 40 x 50

(1) Unlined Closures (2) Lined Closures \*Approximate

### MARKETS

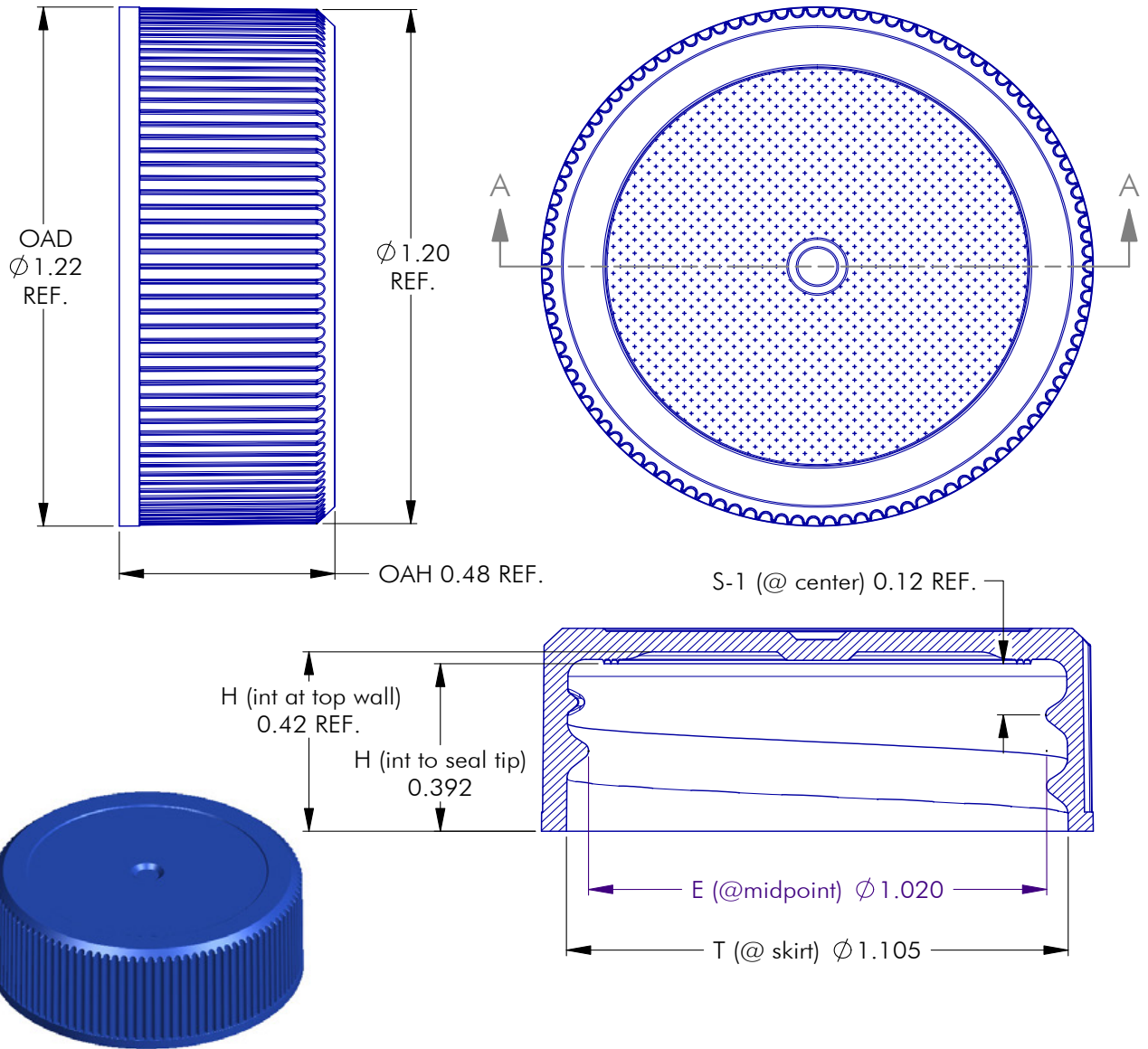
Automotive and Medical Products, Household Chemicals, Cosmetics, Food, Personal Care, and Pharmaceuticals.

### OPTIONS

Available in white, standard colors and custom colors. Can be lined with a wide variety of liner systems including SureSeal (foam), pressure sensitive and heat induction (foil) liners.

### CLOSURE BENEFITS

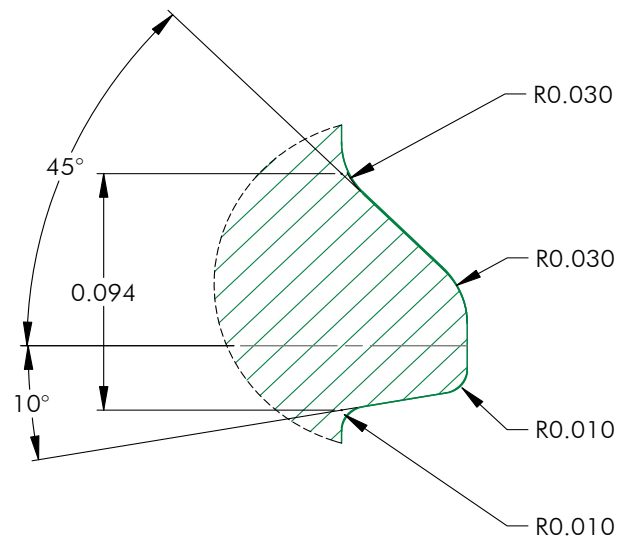
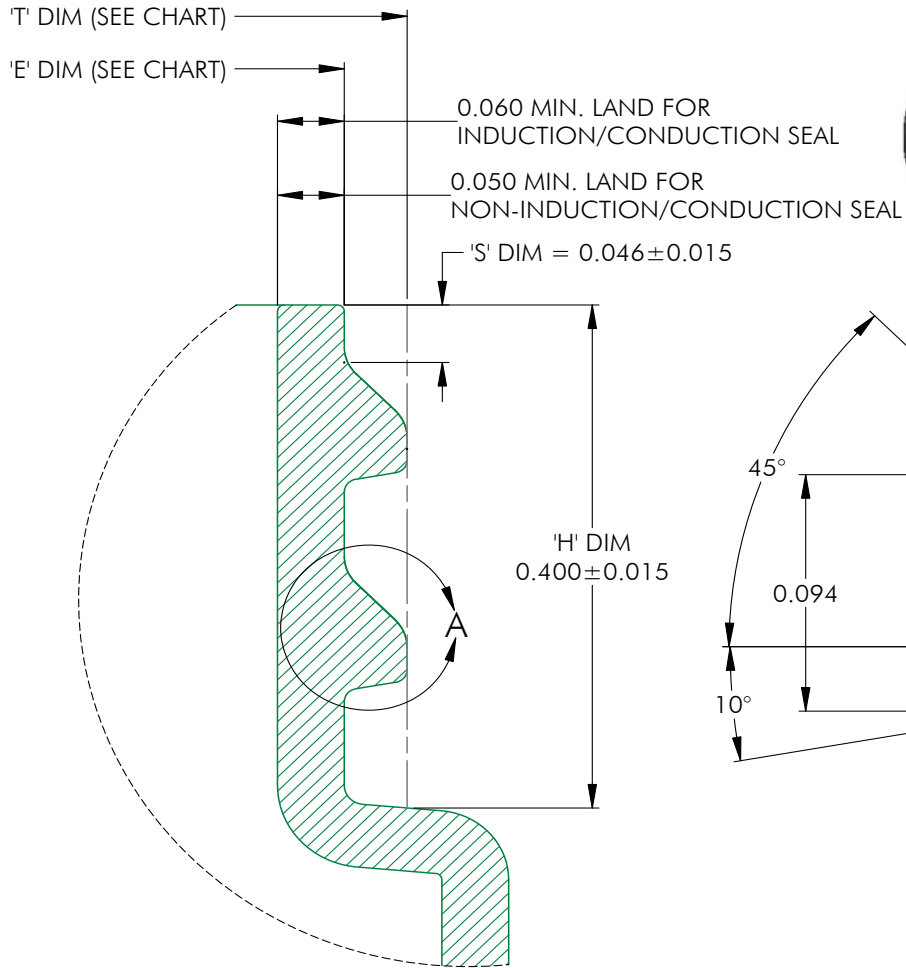
- A great general-purpose closure
- Fine-ribbed sides are easier to grip
- Popular for cosmetics
- Our most popular closure style



NOTES: (UNLESS OTHERWISE SPECIFIED)  
 1. ALL DIMENSIONS ARE IN INCHES.  
 2. SEE CHART FOR DIMENSIONAL TOLERANCE.

THIS OR FACSIMILE THEREOF IS THE EXCLUSIVE PROPERTY OF PHOENIX AND MAY NOT BE REPRODUCED WITHOUT THE EXPRESSED WRITTEN CONSENT OF PHOENIX. SOME OR ALL OF THE ITEMS DEPICTED ON THIS DRAWING MAY BE COVERED BY CURRENT PATENTS OR PATENTS APPLIED FOR BY PHOENIX.

2	10.11.10	Added Seal Ring Ledge Transition			DN
REV	DATE	DESCRIPTION			BY
TOLERANCE	PITCH/TPI	.167 / 6	URNS	1-1/8	MAT'L PP
.X	$\pm 0.1$	DRAWN	BEZ	DATE 10.25.04	SCALE 3 : 1
.XX	$\pm 0.02$	28 - 400 - 62 S			REV
.XXX	$\pm 0.010$				2



**DETAIL A**  
**SCALE: 16 : 1**

MATERIAL	T (mean)	E (mean)	TOLERANCE
PP / PE	1.078	0.984	± 0.010
PET	1.080	0.986	± 0.008
GLASS	N/A	N/A	± N/A

<p>NOTES: (UNLESS OTHERWISE SPECIFIED) 1. ALL DIMENSIONS ARE IN INCHES. 2. SEE CHART FOR DIMENSIONAL TOLERANCE.</p> <p>THIS OR FACSIMILE THEREOF IS THE EXCLUSIVE PROPERTY OF PHOENIX AND MAY NOT BE REPRODUCED WITHOUT THE EXPRESSED WRITTEN CONSENT OF PHOENIX. SOME OR ALL OF THE ITEMS DEPICTED ON THIS DRAWING MAY BE COVERED BY CURRENT PATENTS OR PATENTS APPLIED FOR BY PHOENIX.</p>	0	11.15.04	Released	BZ			
	REV	DATE	DESCRIPTION	BY			
	TOLERANCE	PITCH/TPI	.167 / 6	TURNS	1-1/8	MAT'L	PER CHART
	.X ±0.1	DRAWN	BEZ	DATE	11.15.04	SCALE	8 : 1
.XX ±0.02	<b>28 - 400 - FINISH</b>						0
.XXX ±0.010							