

IF YOU...



MIX IT. FILL IT. PACK IT. SHIP IT.

WE HAVE A **PRODUCT** FOR YOU

Part #67W29F

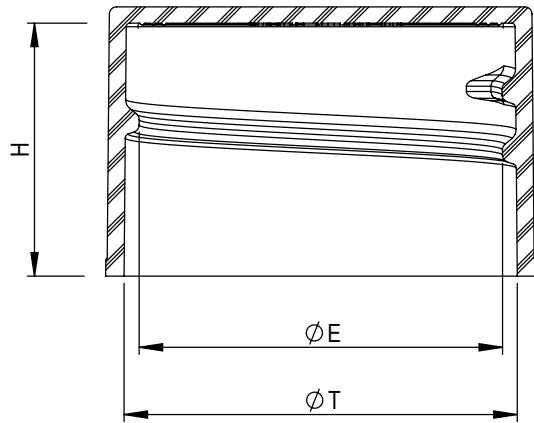
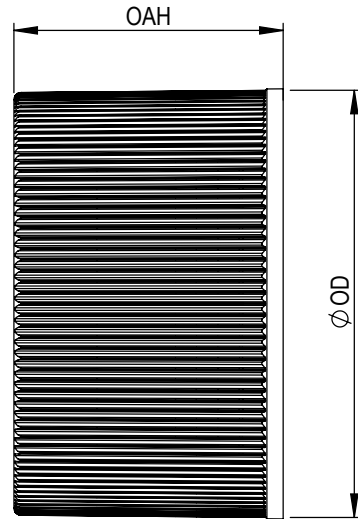
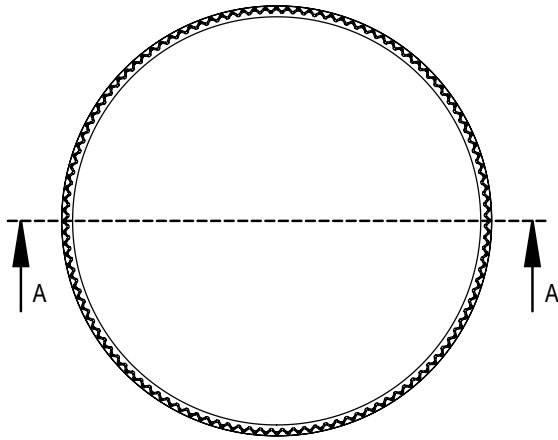
Plastic Caps

28mm 28-410 White Ribbed (Smooth Top) Plastic
Cap w/HIS Pulp Liner for PET/PVC



The
CARYCOMPANY
Est. 1895

1195 W. Fullerton Ave. | Addison, IL 60101 | T: 630.629.6600 | F: 630.629.3690 | TheCaryCompany.com



SECTION A-A

STATIC TORQUE RECOMMENDATION: 12-21 in-lbs
 REQUIREMENT. MAY VARY DEPENDING UPON CONTAINER MATERIAL,
 NECK FINISH, AND CAPPING EQUIPMENT

DIMENSIONS ENCLOSED IN () INDICATE REFERENCE DIMENSIONS
 AND NO TOLERANCE LIMITS ARE ESTABLISHED

DIMENSIONS PRECEDED BY AN "*" INDICATE THE DIMENSION IS
 PROCESS SENSITIVE. PROCESS SENSITIVE DIMENSIONS ARE
 VERIFIED TO BE WITHIN THE TOLERANCE LIMITS DURING THE
 PRODUCTION RUN. ALL REMAINING DIMENSIONS ARE VERIFIED AT
 PRODUCTION VALIDATION.

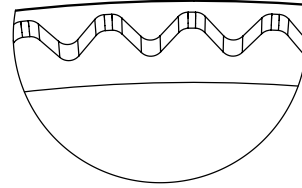
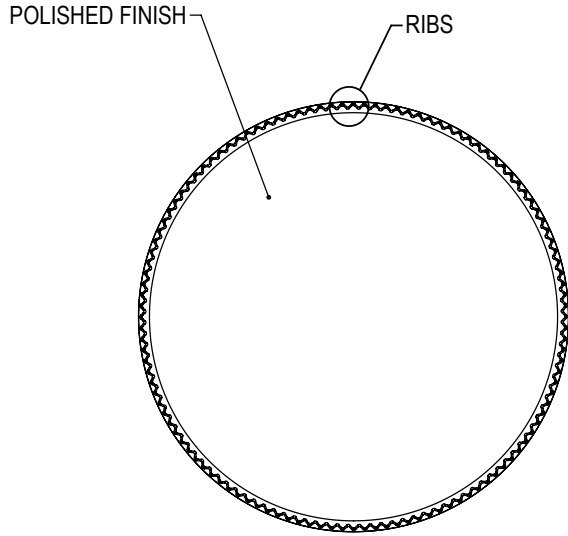
THIS MASTER DOCUMENT IS CONTROLLED ELECTRONICALLY.
 PRINTED OR DOWNLOADED COPIES ARE UNCONTROLLED.
 DOCUMENT USERS ARE RESPONSIBLE FOR ENSURING THEY HAVE
 THE LATEST REVISION PRIOR TO USE.

REFERENCE	DIMENSION	TOLERANCE	UNITS
E	1.013 [25.73]	±0.010 [0.25]	in [mm]
T	1.088 [27.64]	±0.010 [0.25]	in [mm]
H	0.695 [17.65]	±0.010 [0.25]	in [mm]
OAH	0.745 [18.92]	±0.010 [0.25]	in [mm]
OD	1.197 [30.40]	±0.010 [0.25]	in [mm]
PART WEIGHT	2.55	±0.50	g

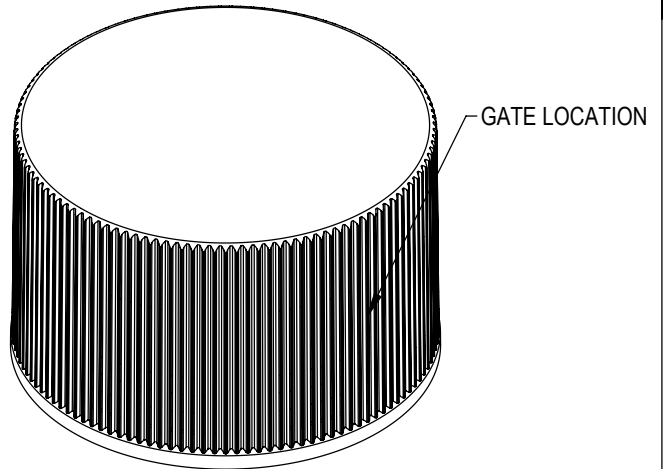
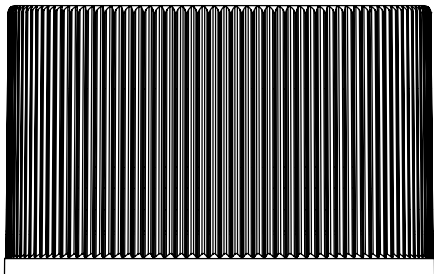
THREAD DETAIL INFORMATION: 6 THREADS PER INCH 0.167" [4.09] PITCH 495° FULL DEPTH THREADS

DRAWING TITLE:	
28-410 CT Closure RL (Ribbed Side)	
MATERIAL:	POLYPROPYLENE
DRAWING TYPE: CUSTOMER	DISTRIBUTION CODE: D
REPLACES DRAWINGS:	C-8030
MODEL NUMBER:	PM 10890 28-410 CT_RL

DRAWN BY: DAS	3/31/2017	DWG SIZE: 8.5" x 11"	DRAWING NUMBER:	REVISION:
ENG APPR: CRS	3/25/2022	SCALE: 1:1 & NOTED	SHEET: 1 OF 3	CQA-10620 00.AB
QA APPR: PDP	03/25/2022			



DETAIL RIBS
SCALE 15 : 1
(120) EQUISPACED RIBS



DIMENSIONS ENCLOSED IN () INDICATE REFERENCE DIMENSIONS AND NO TOLERANCE LIMITS ARE ESTABLISHED

DATE	REV	NIP	DESCRIPTION	ENG	DRW
3/23/2022	00	AB	CORRECTED TOP SURFACE MOLD FINISH TO REFLECT MOLDED PARTS. NO STEEL/PART CHANGES HAVE OCCURRED	LMB	CRS
1/16/2019	00	AA	DRAWING UPDATED TO REFLECT HISTORICAL RUN DATA & PROCESS CAPABILITY. NO CHANGES TO THE STEEL OR PART HAVE OCCURED	JDM	AMK

DRAWING TITLE:

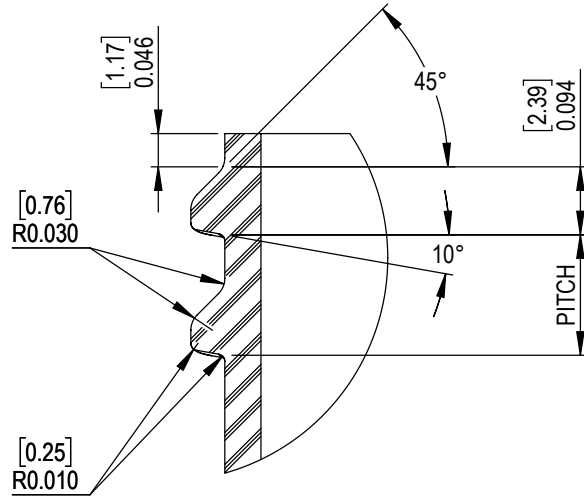
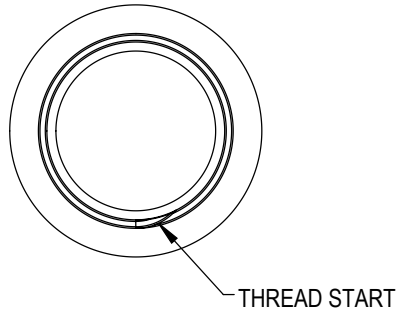
28-410 CT Closure
RL (Ribbed Side)

THIS MASTER DOCUMENT IS CONTROLLED ELECTRONICALLY. PRINTED OR DOWNLOADED COPIES ARE UNCONTROLLED. DOCUMENT USERS ARE RESPONSIBLE FOR ENSURING THEY HAVE THE LATEST REVISION PRIOR TO USE.

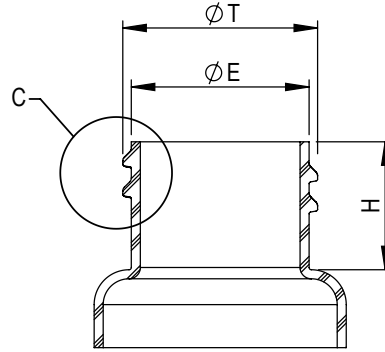
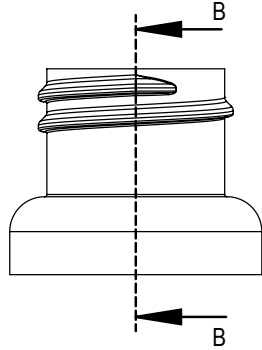
DRAWING TYPE: CUSTOMER		DISTRIBUTION CODE: D	
DWG SIZE: 8.5" x 11"	DRAWING NUMBER: CQA-10620	REVISION: 00.AB	
SCALE: 1:1 & NOTED	SHEET: 2 OF 3		

REVISION HISTORY

REVISIONS: REV: A PHYSICAL CHANGE TO THE PART IMPACTING FIT, FORM OR FUNCTION
NIP: DRAWING OR SPECIFICATION CHANGE ONLY



DETAIL C
SCALE 4 : 1
THREAD DETAIL



SECTION B-B

NECK FINISH DIMENSIONS ASSUME ZERO THICKNESS (NO) LINER

REFERENCE	DIMENSION	TOLERANCE	UNITS
Ø E	0.984 [24.99]	± 0.010 [0.25]	in [mm]
Ø T	1.068 [27.13]	± 0.010 [0.25]	in [mm]
S	0.046 [1.17]	±0.015 [0.38]	in [mm]
H	0.705 [17.91]	MINIMUM	in [mm]
THREADS PER INCH	6		
PITCH	0.167 [4.23]		in [mm]

NOMINAL ORIENTATION OF CLOSURE (IF INDICATED) IS BASED ON NOMINAL DIMENSIONS OF BOTH CLOSURE AND RECOMMENDED NECK FINISH. FOR EXACT ORIENTATION, EACH CONTAINER SHOULD BE EVALUATED ON A CASE BY CASE BASIS.

DIMENSIONS ENCLOSED IN () INDICATE REFERENCE DIMENSIONS AND NO TOLERANCE LIMITS ARE ESTABLISHED.

DRAWING TITLE:

28-410 CT Closure
RL (Ribbed Side)
RECOMMENDED NECK FINISH

THIS MASTER DOCUMENT IS CONTROLLED ELECTRONICALLY. PRINTED OR DOWNLOADED COPIES ARE UNCONTROLLED. DOCUMENT USERS ARE RESPONSIBLE FOR ENSURING THEY HAVE THE LATEST REVISION PRIOR TO USE.

DRAWING TYPE: CUSTOMER | DISTRIBUTION CODE: **D**

DWG SIZE: 8.5" x 11" | DRAWING NUMBER: | REVISION:

SCALE: 1:1 & NOTED | SHEET: 3 OF 3 | **CQA-10620** | **00.AB**