

IF YOU...



MIX IT. FILL IT. PACK IT. SHIP IT.

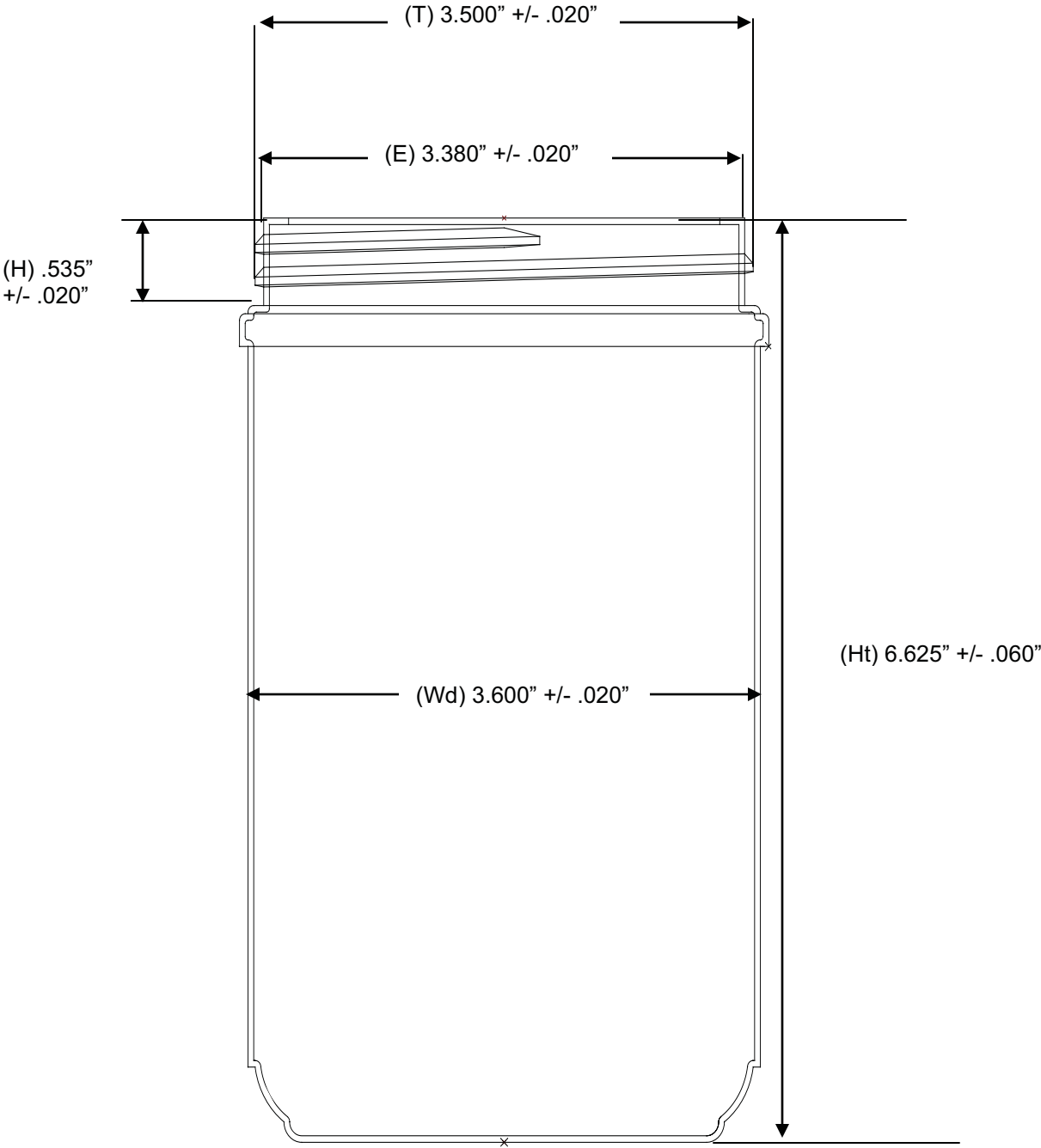
WE HAVE A PRODUCT FOR YOU



Part #	67W328
Capacity	32 oz.
Color	White
Material	HDPE
Dimensions	3.6" Dia. x 6.625"H
Neck Finish	89-400
Neck Width	89mm
BPA Free	Yes
FDA Approved	Yes
Case Pack	108 ea.
Pallet Pack	1,728 ea. (16 Cases)



32-89
32 Ounce-Wide Mouth Container



Lid: 89mm	
Wall Thickness Minimum: .015"	Colors: Stock: White (custom colors available)
Neck Finish: 89mm Single Lead Thread	Material: High Density Polyethylene



Supplied By: **The Cary Company**
Ph: 630-629-6600
www.thecarycompany.com