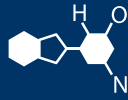


# IF YOU...



MIX IT. FILL IT. PACK IT. SHIP IT.

## WE HAVE A **PRODUCT** FOR YOU

Part # 67W34B

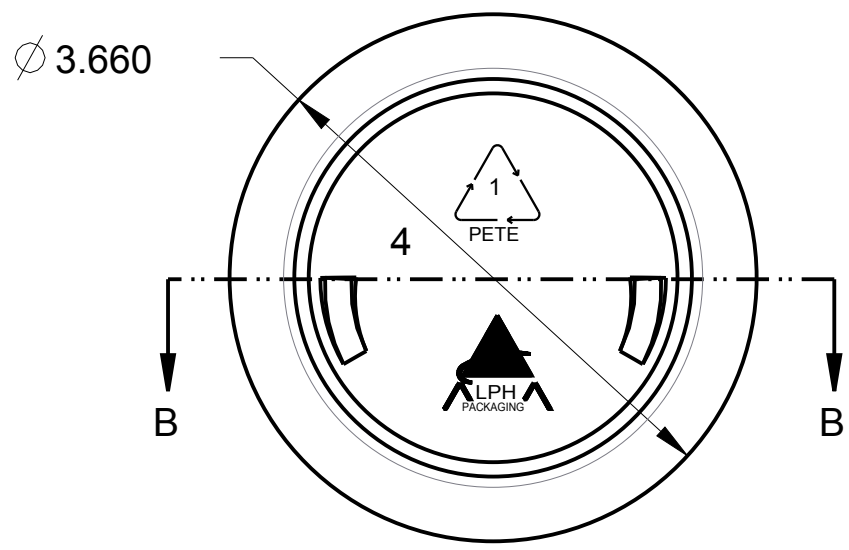
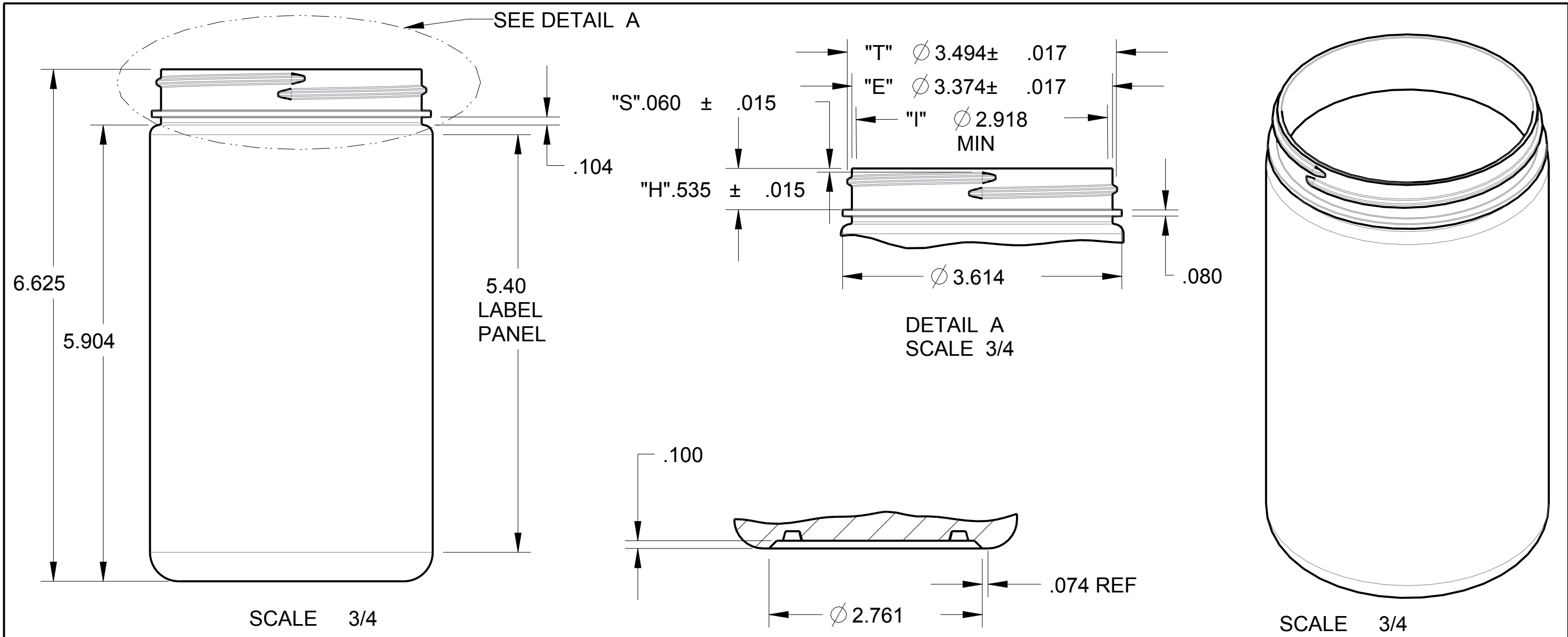
Plastic Jars

32 oz. Black HDPE Plastic Jar, Straight Sided,  
89mm 89-400



The  
**CARY**COMPANY  
Est. 1895

1195 W. Fullerton Ave. | Addison, IL 60101 | T: 630.629.6600 | F: 630.629.3690 | [TheCaryCompany.com](http://TheCaryCompany.com)



NPD #								
All measurements are in inches, [mm]	Color	Min. Thk	Weight	Overflow Volume	Revisions			
	ALL COLORS	.015"	90.5 Gms ± 2	1046 ml ± 15	A	Gm wt was 89. 4/21/05 sct		
					B	Pack was 86. 6/26/09 SCT		
					C	Add 71g. 9/3/10 SCT		
Tolerance: Where not shown	NECK FINISH	L89SP400			D	Remove 71g. 10/15/12 RAB		
Decimal ± 0.05 [1,27]	MATERIAL:	PET			Scale: 3/4		Drawn By: SCT	Date: 10-07-03
Angular ± 1°					Approved By:		Drawing NO:	
					SJ		32JR1SS89L400	

32oz JAR,  
PET, 89-400 CT

D