

IF YOU...



MIX IT. FILL IT. PACK IT. SHIP IT.

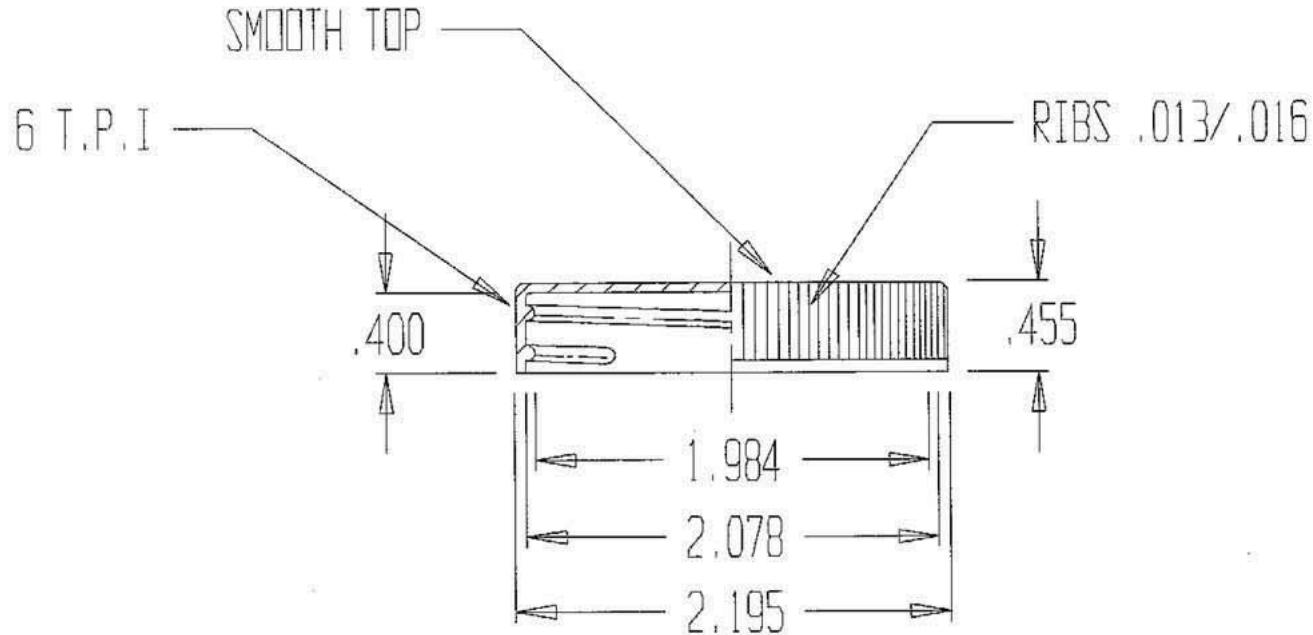
WE HAVE A PRODUCT FOR YOU



| | |
|-----------------|-------------------------------------|
| Part # | 67W53L |
| Neck Width | 53mm |
| Neck Finish | 53-400 |
| Cap Liner | F-217® 3-Ply Co-extruded Foam Liner |
| Color | Black |
| Material | PP |
| Case pack | 1,300 ea. |
| Pallet Pack | 45,500 ea. (35 Cases) |
| Case Weight | 18 lbs. |
| Case Dimensions | 20.5" x 13.625" x 12.65" |
| FDA Approved | Yes |

REVISIONS

| REV. | DATE | APPROVAL | DESCRIPTION |
|------|----------|----------|----------------------------|
| 1 | 8-7-95 | G.G. | T&E DIM. |
| 2 | 11-19-01 | G.G. | +/- 1.5 tolerance. B: .455 |



UNCONTROLLED

| "T" | "E" | "H" | "A" | "B" |
|-------------------------------|-------|------|-------|------|
| 2.078 | 1.984 | .400 | 2.195 | .455 |
| MATERIAL: POLYPROPYLENE | | | | |
| WEIGHT: 5 GRAMS +/- 1.5 grams | | | | |

"RS" 53 M.M./400 CAP



Supplied By: **The Cary Company**
Ph: 630-629-6600
www.thecarycompany.com

| | |
|---------------------|------------------|
| TOLERANCE: +/- .010 | DRAWN BY: P.D.T. |
| SCALE: FULL | DATE: 8-7-95 |
| DRAWING NO. C-3012 | |