

# IF YOU...



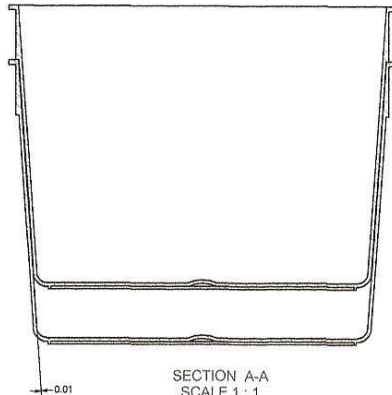
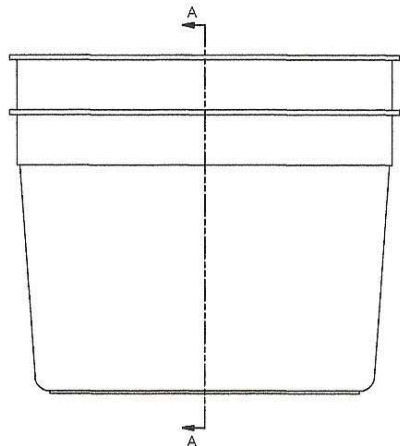
MIX IT. FILL IT. PACK IT. SHIP IT.

# WE HAVE A PRODUCT FOR YOU

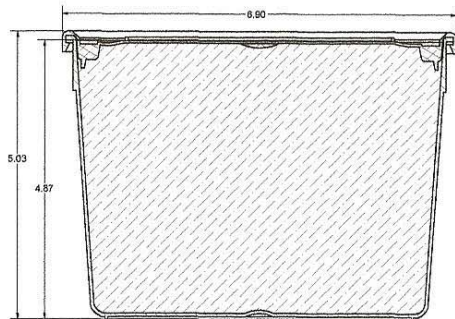
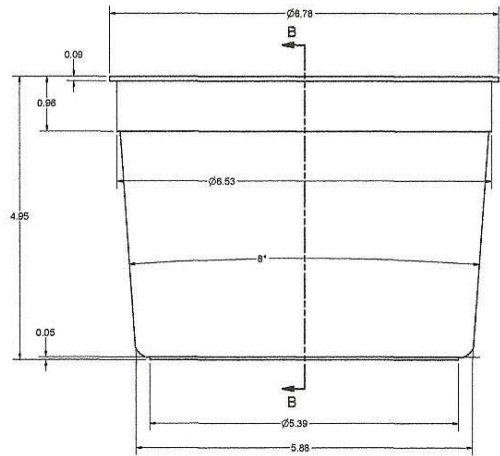


Part #	67W5XT
Capacity	5 lb., 80 oz.
Color	Black
Material	PP





SECTION A-A  
SCALE 1 : 1



SECTION B-B

Physical Properties for 5 lb Ink  
 General Properties:  
 Material: Water  
 Density: 0.036 (lb/ in<sup>3</sup>)  
 Volume: 136.614 in<sup>3</sup>  
 Mass: 5.000 lbs

Physical Properties for Full Volume  
 General Properties:  
 Material: Water  
 Density: 0.036 (lb/ in<sup>3</sup>)  
 Volume: 141.475 in<sup>3</sup>  
 Mass: 5.111 lbs

PH 630-629-6600 - FX 630-629-3690 1195 W. FULLERTON AVE. - ADDISON, IL 60101 WWW.THECARYCOMPANY.COM	
D 8/19/2003 <small>DESIGNER</small>	MB <small>APPROVER</small>
5 lb Tapered Wall Ink Can ASSY <small>PART NO. 10-3NK-A-S-1</small>	A <small>REV</small>