

IF YOU...



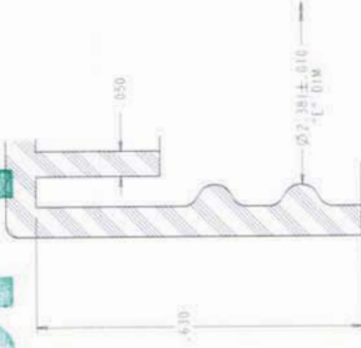
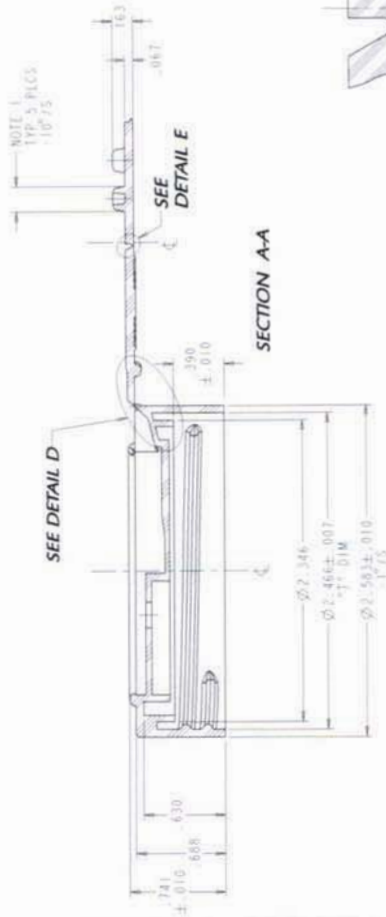
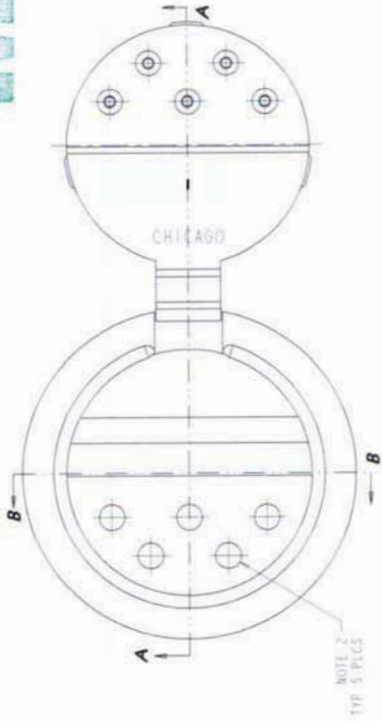
MIX IT. FILL IT. PACK IT. SHIP IT.

WE HAVE A PRODUCT FOR YOU

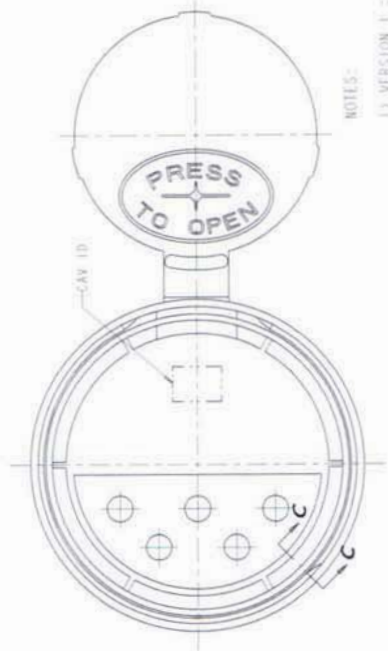
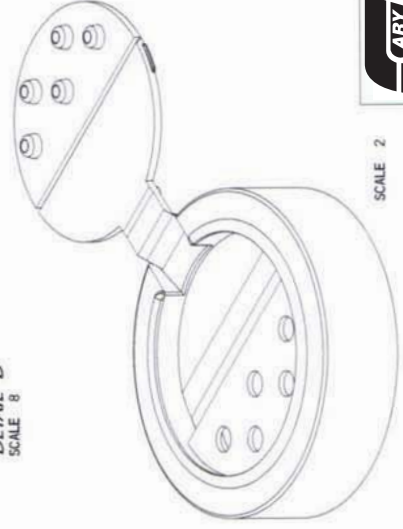
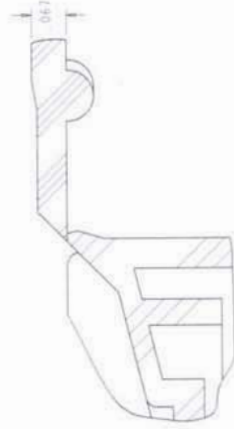
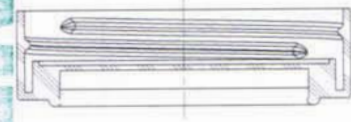


Part #	67W63P
Neck Width	63mm
Neck Finish	63-400
Cap Liner	Pressure Sensitive
Cap Dispensing	.200" (5 holes) Sift
Color	White
Material	PP

MASTER COPY



SECTION B-B



NOTES:

- 1) VERSION 1 - Ø .095; VERSION 2 - Ø 1.95; VERSION 3 - Ø 2.295
- 2) VERSION 1 - Ø .100; VERSION 2 - Ø .200; VERSION 3 - Ø .300

SCALE 2

CARY		Supplied By: The Cary Company		DATE	SCALE	MATERIAL	FINISH	WEIGHT	MARKS	14	16
www.thecarycompany.com		Ph: 630-629-6600		REV							
				PART NO	67W63P			DATE			
				REV							