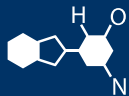


IF YOU...



MIX IT. FILL IT. PACK IT. SHIP IT.

WE HAVE A **PRODUCT** FOR YOU

Part #67W70P

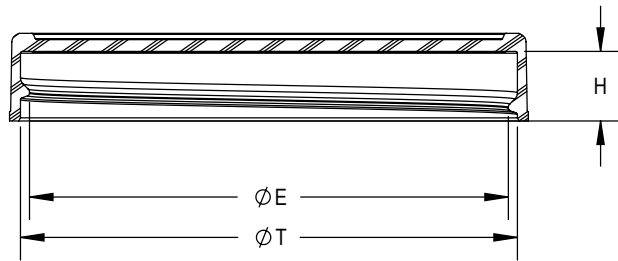
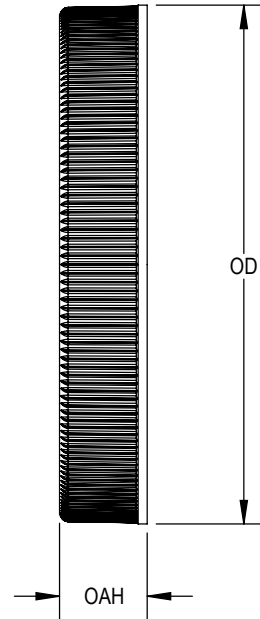
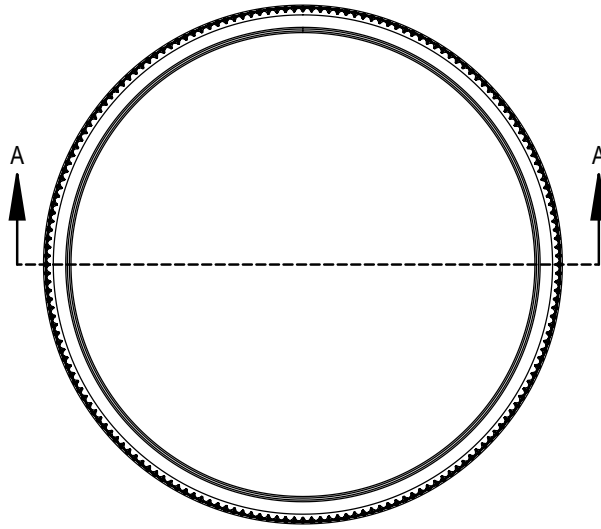
Plastic Caps

70mm 70-400 White Ribbed (Matte Top) Plastic
Cap w/PS22 Liner (Printed)



The
CARYCOMPANY
Est. 1895

1195 W. Fullerton Ave. | Addison, IL 60101 | T: 630.629.6600 | F: 630.629.3690 | TheCaryCompany.com



SECTION A-A

THREAD DETAIL:
6 THREADS PER INCH, 0.167" PITCH

REFERENCE	TOLERANCE	UNITS	DIMENSION
E	±0.015 [0.38]	in [mm]	2.650 [67.31]
T	±0.020 [0.51]	in [mm]	2.750 [69.85]
H	±0.015 [0.38]	in [mm]	0.392 [9.96]
OAH	±0.020 [0.51]	in [mm]	0.483 [12.26]
OD	±0.025 [0.64]	in [mm]	2.875 [73.03]
PART WEIGHT	± 1.5	g	8.7

STATIC TORQUE RECOMMENDATION
28-50 in-lbs
THIS REQUIREMENT MAY VARY DEPENDING UPON BOTTLE MATERIAL, NECK FINISH, AND CAPPING EQUIPMENT

DRAWING TYPE : **CUSTOMER**

REPLACES DRAWINGS: C-4015
DIMENSIONS ENCLOSED IN () INDICATE REFERENCE DIMENSIONS AND NO TOLERANCE LIMITS ARE ESTABLISHED

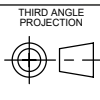
TOLERANCES UNLESS OTHERWISE SPECIFIED

DIMENSION (inches)	TOLERANCE	DIMENSION (mm)	TOLERANCE
0-0.787	±0.006	0-20	±0.152
0.788-1.181	±0.008	21-30	±0.203
1.182-2.756	±0.012	31-70	±0.305
2.757-3.937	±0.016	71-100	±0.406
3.938-5.096	±0.020	101-150	±0.508
5.097-7.874	±0.024	151-200	±0.610
7.875-9.843	±0.032	201-250	±0.813

ANGULAR TOLERANCE ± 2°

PROPRIETARY AND CONFIDENTIAL

THE CLOSURE DIMENSIONS DEPICTED ARE THOSE WHICH HAVE GENERALLY BEEN FOUND TO BE FUNCTIONAL BASED ON INDUSTRY EXPERIENCE BECAUSE OF VARIABILITY IN GLASS AND PLASTIC CONTAINER FINISHES. EACH CLOSURE/FINISH SYSTEM SHOULD BE INDIVIDUALLY EVALUATED AND TESTED TO ENSURE IT MEETS APPLICABLE PERFORMANCE CRITERIA. SEE QUALITY ASSURANCE SPECIFICATIONS FOR ADDITIONAL INFORMATION.



SOLIDWORKS

DISTRIBUTION CODE
D

DRAWING NAME
70-400 CT CLOSURE
RM (Ribbed Side - Matte Top)

DRAWING NUMBER
CQA - 10728

DRAWN BY: DAS 6/3/2016

ENG APPR: BDG 4/6/2018

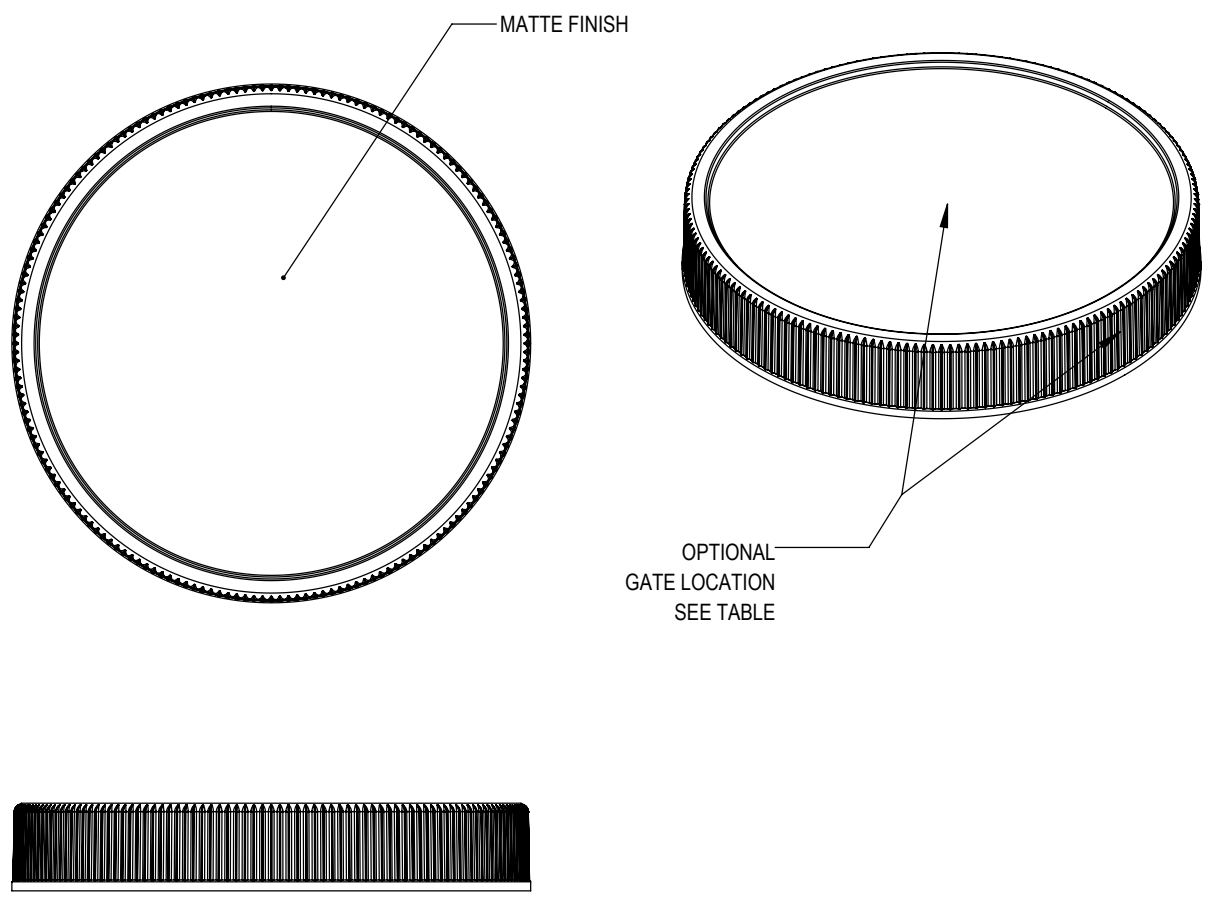
QA APPR: REL 08/13/2018

MATERIAL
POLYPROPYLENE

MODEL NUMBER:
PM 11104 70-400 CT

SCALE	SHEET SIZE	SHEET	REV.NP
1:1	8.5" X 11"	1 of 3	00.AA

REVISIONS						
DATE	REV.	N/P	PRODUCT DRAWING REQUEST	DESCRIPTION	ENG	DRW
01/19/2018	00	AA	PDR 18-067	UPDATED FORMAT AND ASSIGNED NEW PART NUMBER. DIMENSIONAL SPECIFICATIONS UPDATED BASED ON PRODUCTION CAPABILITY. NO STEEL CHANGES OCCURED.	BDG	DAS

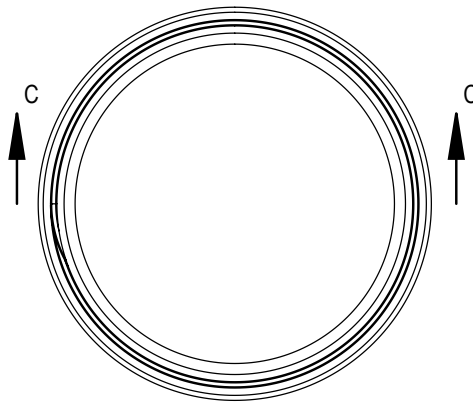


MOLD NUMBER	GATE LOCATION	
	SIDE	TOP
70003	X	
70007	X	
70008		X

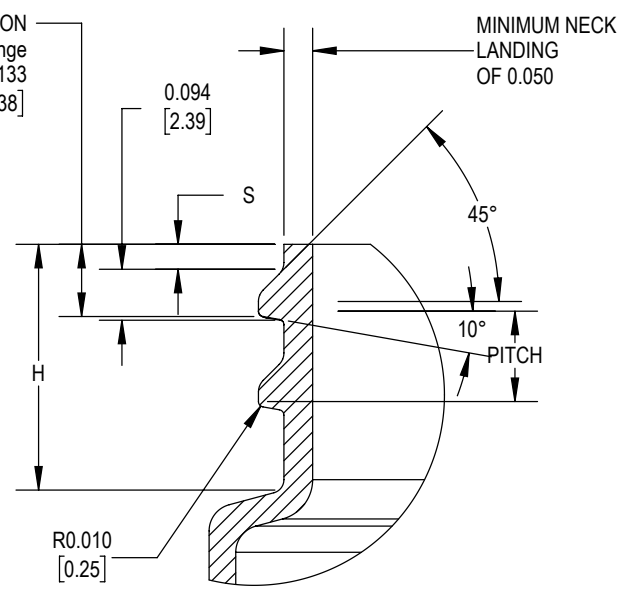
THE CLOSURE DIMENSIONS DEPICTED ARE THOSE WHICH HAVE GENERALLY BEEN FOUND TO BE FUNCTIONAL BASED ON INDUSTRY EXPERIENCE BECAUSE OF VARIABILITY IN GLASS AND PLASTIC CONTAINER FINISHES. EACH CLOSURE/FINISH SYSTEM SHOULD BE INDIVIDUALLY EVALUATED AND TESTED TO ENSURE IT MEETS APPLICABLE PERFORMANCE CRITERIA. SEE QUALITY ASSURANCE SPECIFICATIONS FOR ADDITIONAL INFORMATION.

DRAWING TYPE : CUSTOMER			
REFERENCES: 70003 70007 70008		DIMENSIONS ENCLOSED IN () INDICATE REFERENCE DIMENSIONS AND NO TOLERANCE LIMITS ARE ESTABLISHED	
TOLERANCES UNLESS OTHERWISE SPECIFIED			
DIMENSION (inches)	TOLERANCE	DIMENSION (mm)	TOLERANCE
0-0.787	±0.006	0-20	±0.152
0.788-1.181	±0.008	21-30	±0.203
1.182-2.756	±0.012	31-70	±0.305
2.757-3.937	±0.016	71-100	±0.406
3.938-5.096	±0.020	101-150	±0.508
5.097-7.874	±0.024	151-200	±0.610
7.875-9.843	±0.032	201-250	±0.813
ANGULAR TOLERANCE ± 2°			
PROPRIETARY AND CONFIDENTIAL			

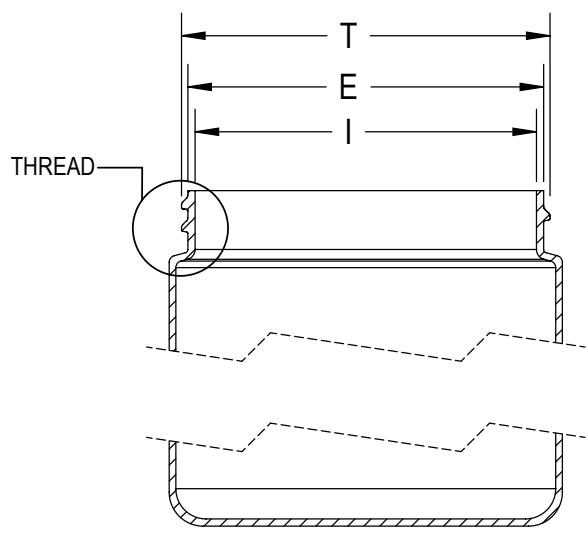
THIRD ANGLE PROJECTION SOLIDWORKS	DISTRIBUTION CODE D	DRAWING NAME 70-400 CT CLOSURE RM (Ribbed Side - Matte Top)	
	DRAWING NUMBER CQA - 10728		
DRAWN BY. DAS	DATE 6/3/2016	MATERIAL POLYPROPYLENE	
ENG APPR. BDG	DATE 4/6/2018	MODEL NUMBER: PM 11104 70-400 CT	
QA APPR. REL	DATE 08/13/2018	SCALE 1:1	SHEET SIZE 8.5 X 11
		SHEET 2 of 3	REV.NP 00.AA



CRITICAL FOR ORIENTATION
 .001" = 2 Degrees in Change
 S' 0.133
 [3.38]



DETAIL THREAD
 SCALE 3 : 1



SECTION C-C

REFERENCE	TOLERANCE	UNITS	DIMENSION
E	±0.017 [0.43]	in [mm]	2.625 [66.68]
T	±0.017 [0.43]	in [mm]	2.719 [69.06]
I	MIN	in [mm]	2.232 [56.69]
S	±0.015 [0.38]	in [mm]	0.046 [1.17]
H	MIN	in [mm]	0.408 [10.36]
TPI			6
PITCH		in [mm]	0.167 [4.24]

NOTE: THE NOMINAL ORIENTATION ILLUSTRATED IS BASED ON NOMINAL DIMENSIONS OF BOTH THE CLOSURE AND THE RECOMMENDED NECK FINISH. FOR EXACT ORIENTATION EACH BOTTLE SHOULD BE EVALUATED ON A CASE BY CASE BASIS.

DRAWING TYPE : CUSTOMER

DIMENSIONS ENCLOSED IN () INDICATE REFERENCE DIMENSIONS AND NO TOLERANCE LIMITS ARE ESTABLISHED

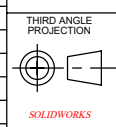
TOLERANCES UNLESS OTHERWISE SPECIFIED

DIMENSION (inches)	TOLERANCE	DIMENSION (mm)	TOLERANCE
0-0.787	±0.006	0-20	±0.152
0.788-1.181	±0.008	21-30	±0.203
1.182-2.756	±0.012	31-70	±0.305
2.757-3.937	±0.016	71-100	±0.406
3.938-5.096	±0.020	101-150	±0.508
5.097-7.874	±0.024	151-200	±0.610
7.875-9.843	±0.032	201-250	±0.813

ANGULAR TOLERANCE ± 2°

PROPRIETARY AND CONFIDENTIAL

THE CLOSURE DIMENSIONS DEPICTED ARE THOSE WHICH HAVE GENERALLY BEEN FOUND TO BE FUNCTIONAL BASED ON INDUSTRY EXPERIENCE BECAUSE OF VARIABILITY IN GLASS AND PLASTIC CONTAINER FINISHES, EACH CLOSURE/FINISH SYSTEM SHOULD BE INDIVIDUALLY EVALUATED AND TESTED TO ENSURE IT MEETS APPLICABLE PERFORMANCE CRITERIA. SEE QUALITY ASSURANCE SPECIFICATIONS FOR ADDITIONAL INFORMATION.



THIRD ANGLE PROJECTION
 DISTRIBUTION CODE
D

DRAWING NAME
**70-400 CT CLOSURE
 RECOMMENDED NECK FINISH**
 DRAWING NUMBER
CQA - 10728

DRAWN BY.	DAS	6/3/2016	MATERIAL
ENG APPR.	BDG	4/6/2018	MODEL NUMBER:
QA APPR.	REL	08/13/2018	SCALE
			SHEET SIZE
			SHEET
			REV.N/P
			00.AA