

# IF YOU...



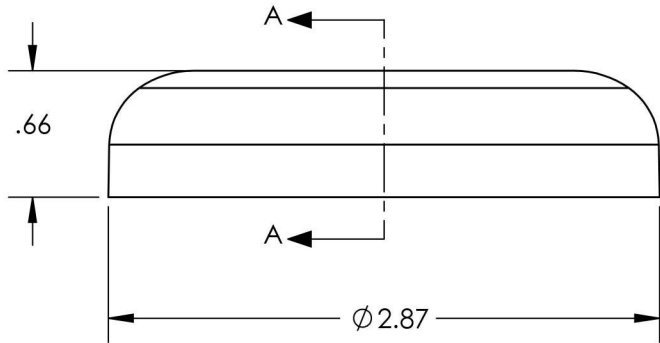
MIX IT. FILL IT. PACK IT. SHIP IT.

# WE HAVE A PRODUCT FOR YOU

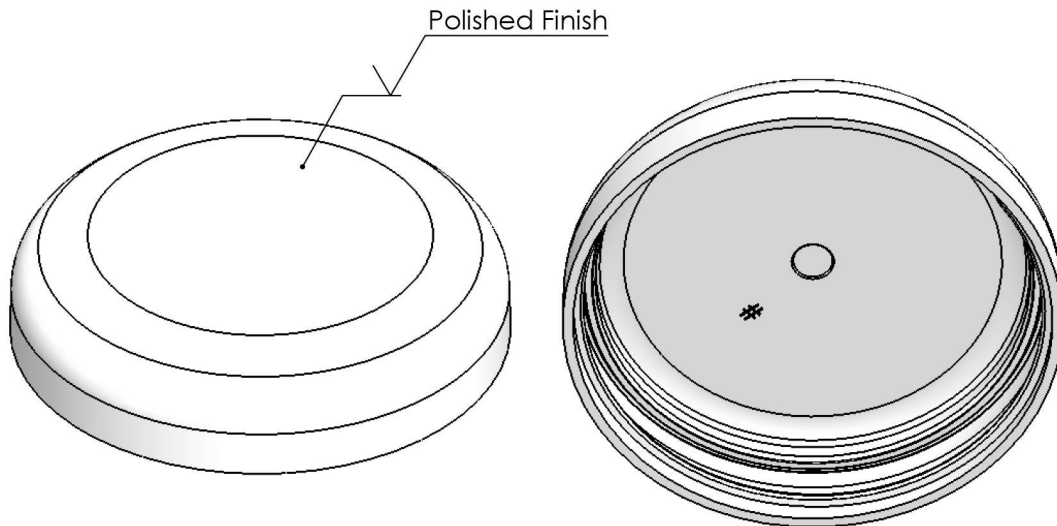
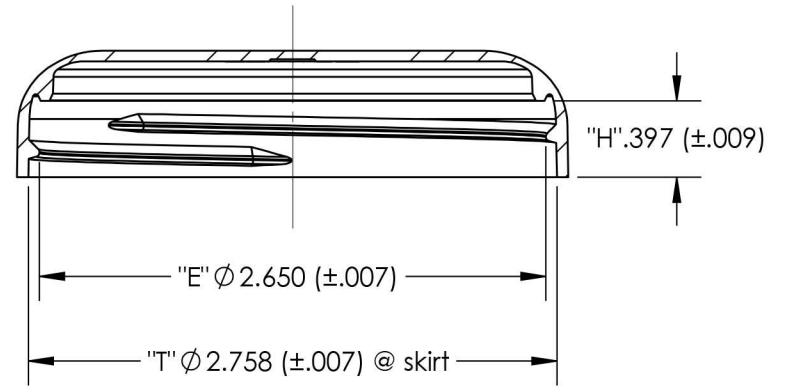


Part #	67W7DP
Neck Width	70mm
Neck Finish	70-400
Color	White
Material	PP
Case Pack	650 ea.
Pallet Pack	15,600 ea. (24 Cases)

NOTE:



SECTION A-A



DRAWING NAME:		PART DWG - C070PPIDO - MCH012-030		
PART NAME:		PART #:		REV:
70 mm Domed Closure		C070PPIDO : MCH012-030		E
		2015	BY:	DATE:
		DRAWN	S.B.	6/19/2015
		CHECKED	S.B.	7/8/2015
		APPROVED	J.R.B.	7/8/2015
		TOLERANCES (UNLESS SPECIFIED)		DIMENSIONS ARE IN INCHES
		.00 = $\pm .015$		.000 = $\pm .010$
THREAD PITCH:	# OF THREAD TURNS:	ANGULAR TOLERANCE		
6 T.P.I.	1-1/8 TURNS	$\pm 1/2$ DEGREE		
GATE LOCATION:	PART WEIGHT:	THIRD ANGLE PROJECTION		
INTERIOR - TOP CENTER	9 Grams ( $\pm 5\%$ )			
MATERIAL:	PLASTIC FINISH NUMBER 400	SHEET SCALE:	FULL	SHEET SIZE: A
POLYPROPYLENE				

# PRODUCT DATA SHEET

## PRESSURE SEAL 020

### PRODUCT DESCRIPTION

**Description:** A polystyrene foam coated with a pressure sensitive coating.

**FDA Status:** Complies with Federal Regulations of H.E.W., FDA, sections 175.125, 175.300, 177.1640, 178.3010, and 178.3710. It is entered in SANCAP Liner's food master file FMF 166 and drug master file DMF 2518.

### PHYSICAL AND CHEMICAL PROPERTIES

- |   |                        |
|---|------------------------|
| 1. <b>Color</b>   | White-Plain or Printed |
| 2. <b>Thickness, mils</b>                                 |                        |
| a) Overall  | 20.0 - 25.0            |
| b) Wax  | 2.0 - 3.0              |
| c) Foam   | 18.0 - 22.0            |
| 3. <b>Basis Wt. Lbs./Ream 3000 ft.<sup>2</sup></b>        |                        |
| a) Overall  | 92.46 - 120.12         |
| b) Wax  | 25.46 - 38.12          |
| c) Foam   | 67.00 - 82.00          |
| 4. <b>Gas Transmission: cc/cin<sup>2</sup>/24hrs/1atm</b> |                        |
| a) Oxygen   | 109.68                 |
| 5. <b>Water Vapor Transmission</b>                        |                        |
| a) gm/cin <sup>2</sup> /24hrs/100°F/90%RH                 | 0.27                   |
| 6. <b>Melting Point °F</b>                                | 170 - 180              |
| <b>Softening Point °F</b>                                 | 148 - 152              |

### RECOMMENDED STORAGE CONDITIONS

The material should be stored in well-ventilated area (temp. 60° - 80°F; RH - 40% - 60%). Material and lined closures are heat and pressure sensitive. Storage or shipping temperatures should not be in excess of 105°F. Blocking may result. If material becomes chilled, it should be stored under the recommended conditions until stabilized. Avoid storing closure liner material over 60 days.

### SUGGESTED PRODUCT USES

Material is a styrene foam innerseal coated with a torque activated coating. It has adhesion to glass and plastic bottles with metal or plastic caps. Sealing properties should be checked after being stored for 12 hours.

Dry Products	Spices
Candy	Syrup

Product applications listed above are a partial listing and do not cover all suitable applications. These are recommendations for general categories and user must test for suitability for their specific product. Not suitable for products containing oil.