

# IF YOU...

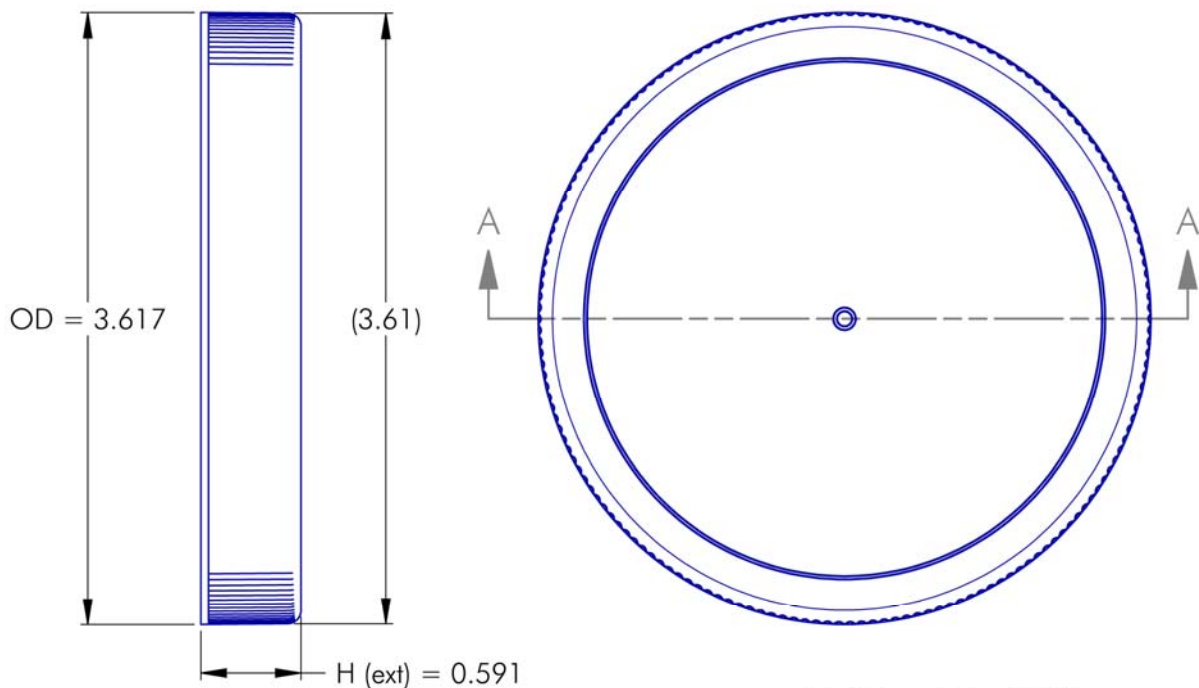


MIX IT. FILL IT. PACK IT. SHIP IT.

## WE HAVE A PRODUCT FOR YOU

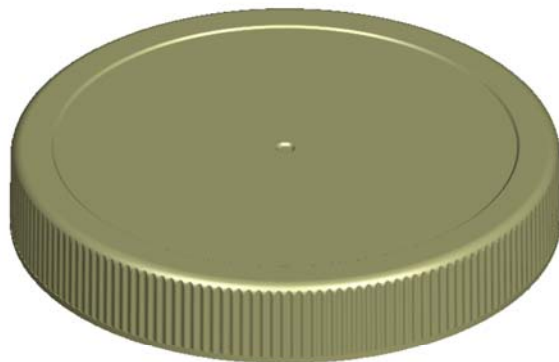
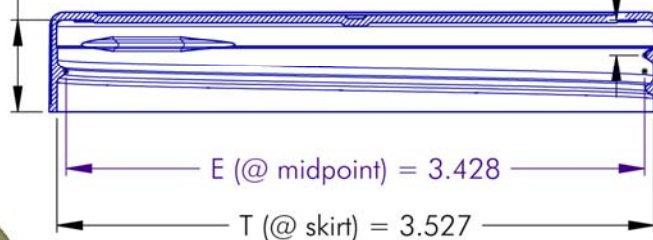


Part #	67W87H
Neck Width	89mm
Neck Finish	89-400
Cap Liner	Foil Seal™ .020" Pulp FS M-1 Heat Induction Foil
Liner Compatability	PE (HDPE, LDPE)
Color	White
Material	PP
Case Pack	624 ea.
Pallet Pack	9,360 ea. (15 Cases)
Case Weight	23.01 lbs.
Case Dimensions	24" x 16" x 15"
Pallet Dimensions	48" x 40" x 50"
FDA Approved	Yes




H (int) = 0.546

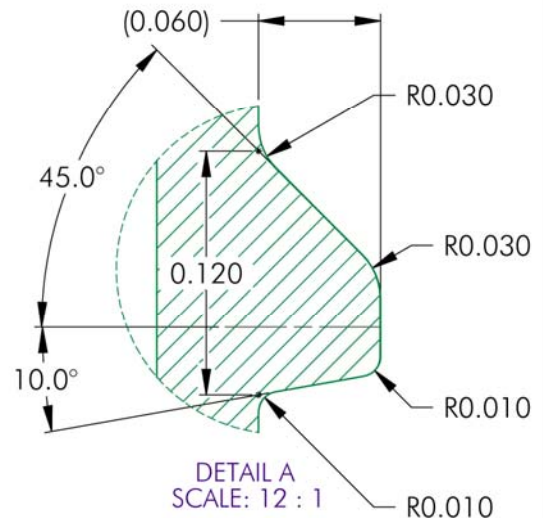
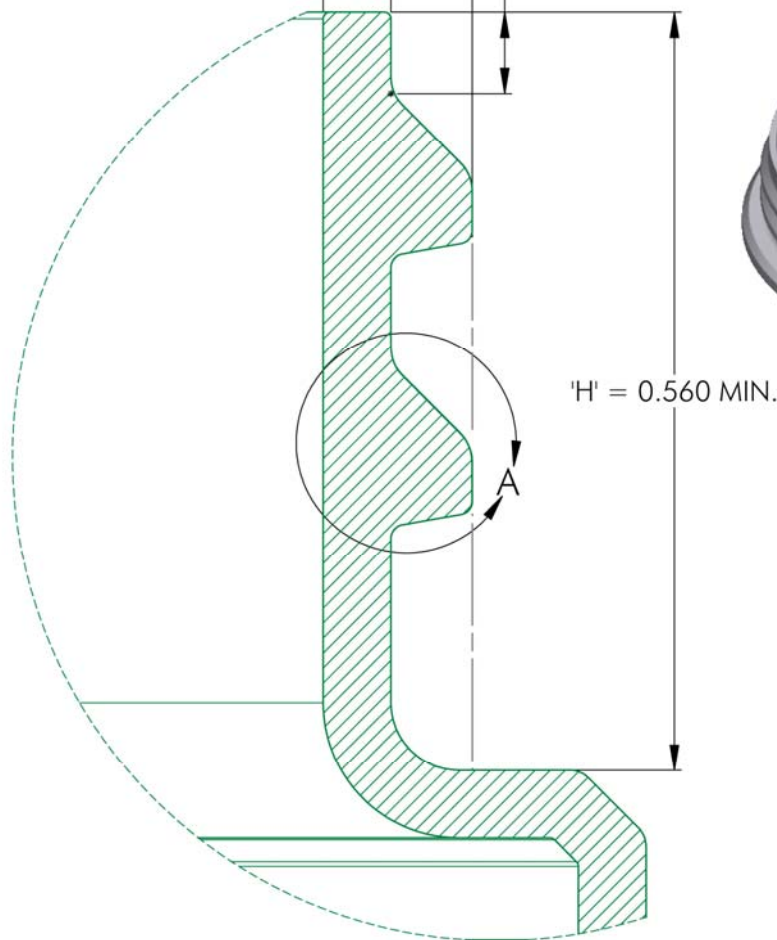
S-1 (@ center) = 0.209



NOTES: (UNLESS OTHERWISE SPECIFIED)  
 1. ALL DIMENSIONS ARE IN INCHES.  
 2. TOLERANCE ON ALL DIMENSIONS IS  $\pm 0.010$ ".

#	00.00.00	-	--	PITCH (TPI): 5	# OF TURNS: 1-3/16	MATERIAL: POLYPROPYLENE
REV	DATE	DESCRIPTION	BY	DRAWING #: 89 - 400 - 9613 S		SCALE: 1 : 1
 <b>Supplied By: The Cary Company</b> Ph: 630-629-6600 www.thecarycompany.com				DESCRIPTION: 89-400-62W1 / MEDIUM RIB / '470-TYPE'		
				DRAWN BY: DMN	DATE: 07.27.06	APPROVED BY: LRE REV: 2B

'T' DIM. (SEE CHART) →  
 'E' DIM. (SEE CHART) →  
 ('I' = 2.918 MIN.) →  
 0.060 MIN. LAND FOR  
 INDUC./CONDUCT. SEALING APPLICATIONS  
 0.050 MIN. LAND FOR  
 NON-INDUC./CONDUCT. SEALING APPLICATIONS  
 'S' = 0.060 ± 0.015



NOTES: (UNLESS OTHERWISE SPECIFIED)  
 1. ALL DIMENSIONS ARE IN INCHES.  
 2. SEE CHART FOR TOLERANCE ON ALL DIMENSIONS.

MATERIAL	T (mean)	E (mean)	TOLERANCE
PP / PE	3.4935	3.3735	± 0.0175
PET	3.499	3.379	± 0.012

REV	00.00.00	DATE	-	DESCRIPTION	BY	PITCH (TPI): 5	# OF TURNS: 1-1/2	MATERIAL: SEE CHART
						DRAWING #:	89 - 400 - FINISH	
						SCALE:	8 : 1	
						DESCRIPTION:	FINISH FOR USE WITH PCI 89-400 CLOSURES	
			DRAWN BY: DMN	DATE: 10.22.07	APPROVED BY: LRE	REV: 0		



Supplied By: **The Cary Company**  
 Ph: 630-629-6600  
 www.thecarycompany.com