

# IF YOU...

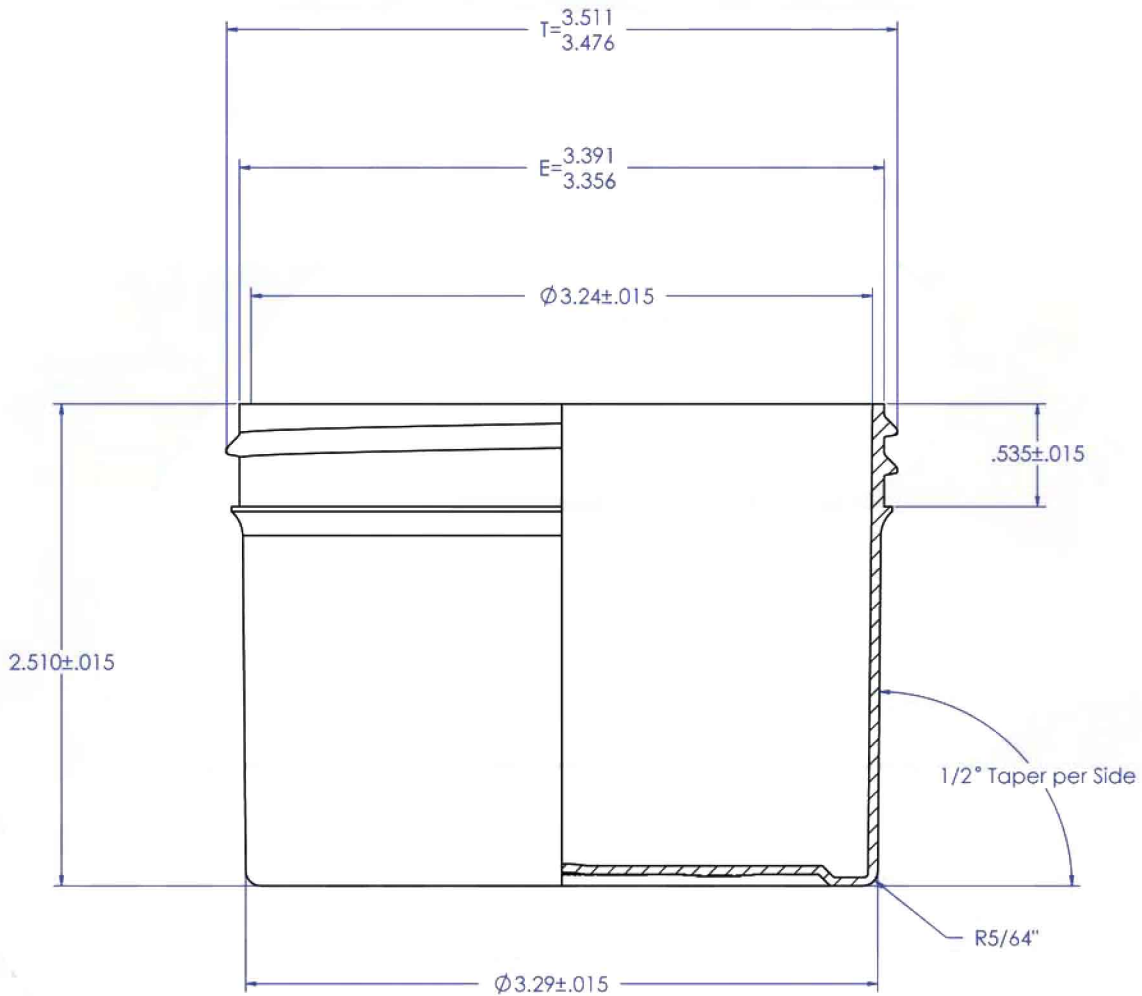


MIX IT. FILL IT. PACK IT. SHIP IT.

# WE HAVE A PRODUCT FOR YOU



Part #	67W89B
Capacity	8 oz.
Color	Black
Material	PP
Dimensions	3.374" Dia. x 2.55"H
Neck Finish	89-400
Neck Width	89mm
BPA Free	Yes
FDA Approved	Yes
Case Pack	140 ea.
Pallet Pack	3,500 ea. (25 Cases)



**DECORATION AREA**

WRAP: 10.25 inch  
 HEIGHT: 1.57 inch  
 DRAFT:  $1/2^\circ$  per Side

NAME	DATE
W. OTT	05/09/2012
PART DESCRIPTION:	
MATERIAL	PP
APPROX WEIGHT:	28.2 grams
APPROX OVERFLOW:	317 ml
THREAD:	"M" STYLE, 5 TPI PITCH

**8oz 89mm-400  
Regular Wall Jar**

SIZE **A** PART CODE \_\_\_\_\_ REV. -

SCALE: 1:1 DO NOT SCALE DRAWING SHEET 1 OF 1

TOLERANCE		REVISIONS		
DIM.	TOL.	REV.	DATE	DESCRIPTION
.00	.015	A	7/14/13	ADDED RECYCLING LOGO, MODIFIED SHAPE AND CORRECTED SIZE
.000	.010			UPDATED WEIGHT AND OVERFLOW DATA

