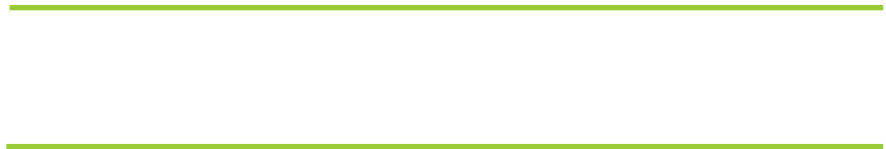


IF YOU...



MIX IT. FILL IT. PACK IT. SHIP IT.

WE HAVE A PRODUCT FOR YOU



Part #	67W89F
Neck Width	89mm
Neck Finish	89-400
Cap Liner	PS-22 (Pressure Sensitive)
Cap Dispensing	.312" (5 holes) Sift / Pour (spoon dispenser)
Color	White
Material	PP



Standard Features:

- 89mm Diameter
- Single piece design
- Polypropylene material
- Gloss finish
- Dual Door – Tear Drop Pour (single hole)/Spoon Dispense, .312/Pour (5-hole)/Spoon Dispense
- 400 Neck finish
- Unique thumb detail provides ease of opening
- Special cleanout rings prevent material from sifting through closed lid

Options:

- Standard colors or matched to customer requirements
- Liners – provided to meet customer application

Packaging Information:

	Quantity	Dimensions	Weight
Carton	350 pcs	22" x 16" x 15.3"	22 lbs
Pallet	36 Cartons	48.5" x 45" x 96"	835 lbs

Market Applications

- **Food:** Non-dairy creamers, powdered or granular beverages, artificial sweeteners, sugars, confectionary, spices, food supplements, nutritional supplements
- **Chemical:** Household cleaners and deodorizers, insecticides, herbicides, fertilizers
- **Personal Care:** Bath salts, powders
- **Crafts:** Glitters, beads
- **Pet Foods:** Fish, small mammal, bird
- **Lawn and Garden:** Grass, wildflower and vegetable seed, wild bird seed

89 MM

CLASSIC SERIES



Thumb detail

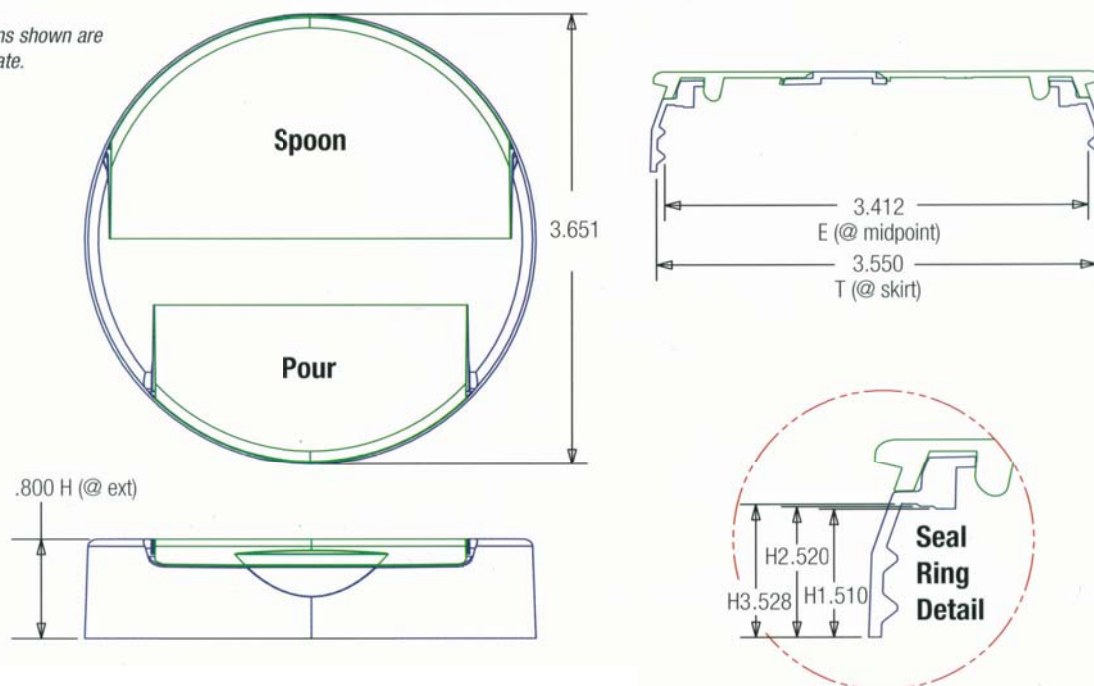


Cleanout rings



Large, convenient spoon dispense

Dimensions shown are approximate.



Supplied By: **The Cary Company**

Ph: 630-629-6600

www.thecarycompany.com