

IF YOU...

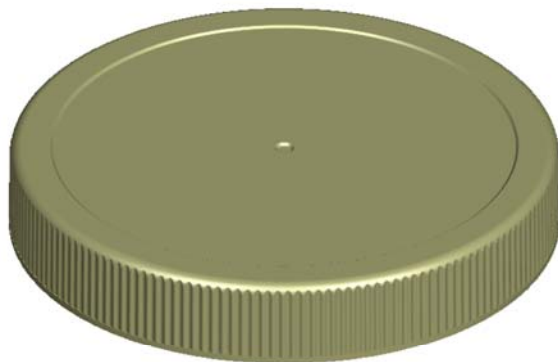
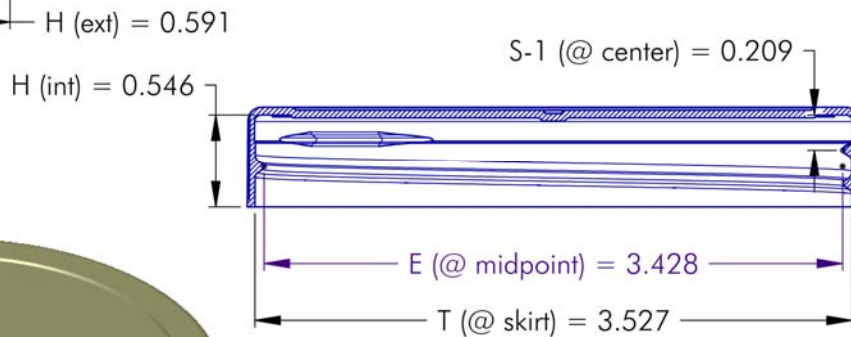
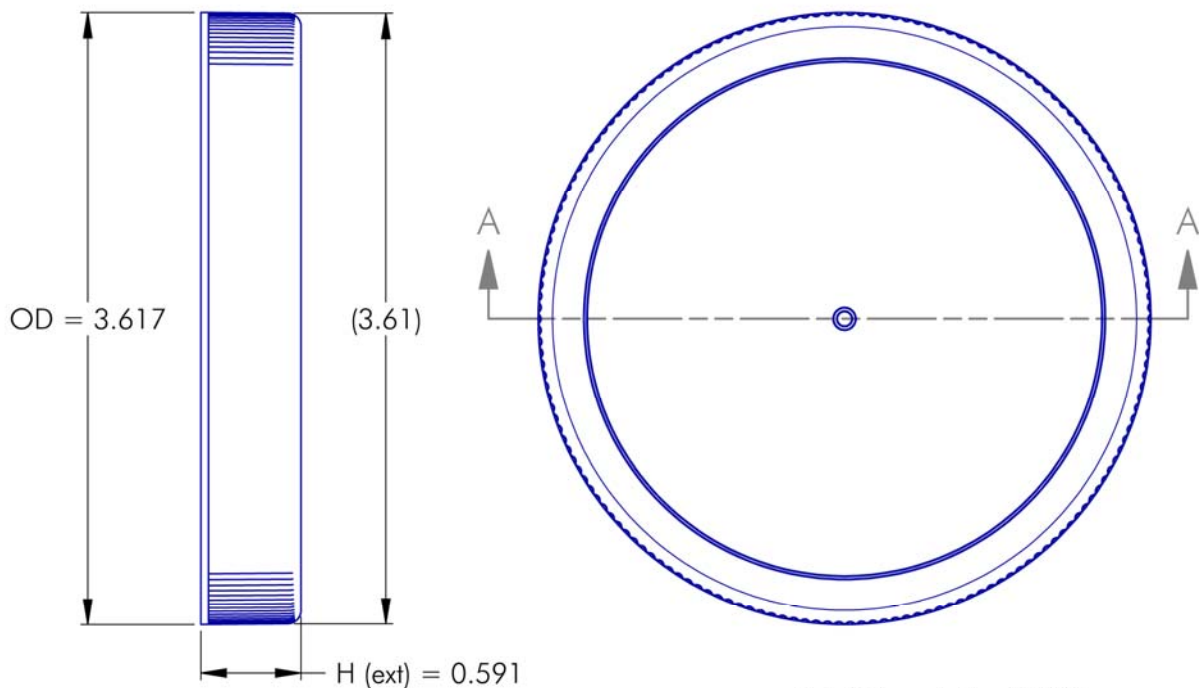


MIX IT. FILL IT. PACK IT. SHIP IT.


WE HAVE A PRODUCT FOR YOU



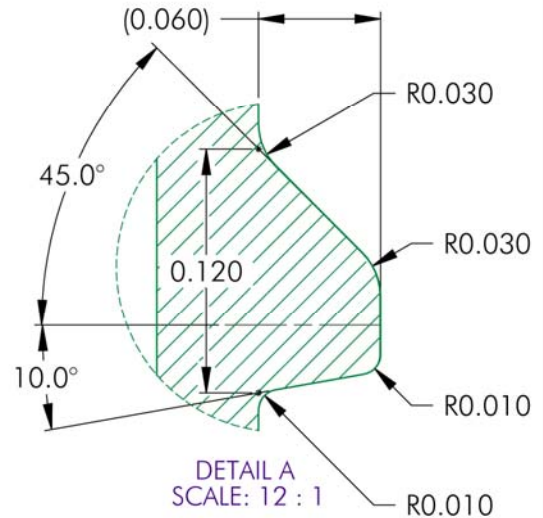
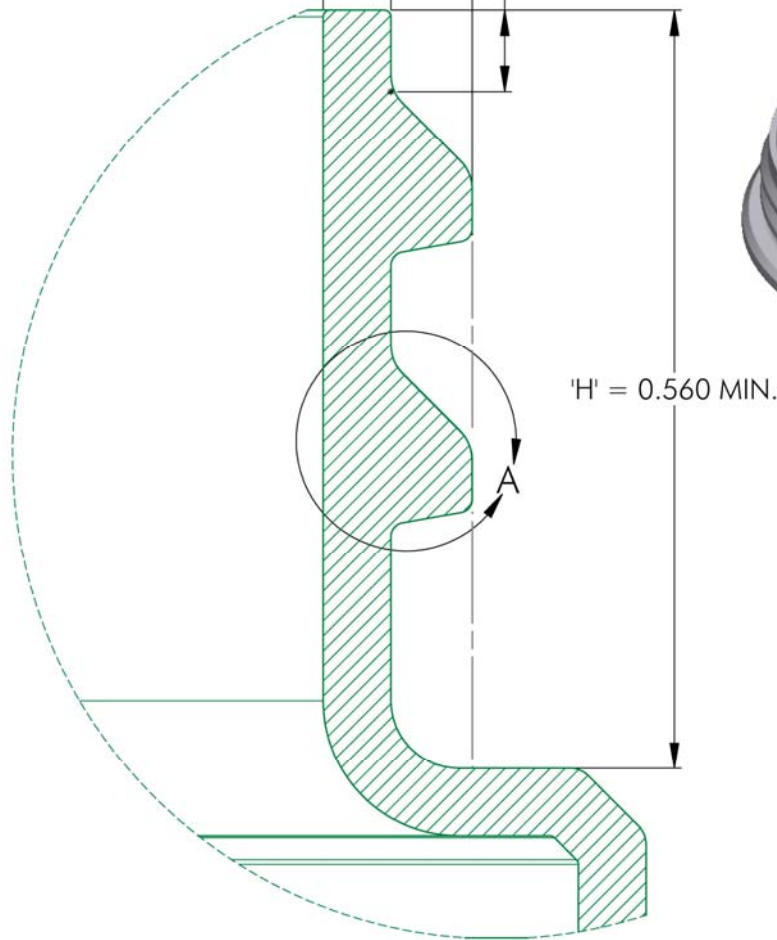
Part #	67W89S
Neck Width	89mm
Neck Finish	89-400
Color	White
Material	PP
Case Pack	PP
Case Pack	624 ea.
Pallet Pack	9,360 ea (15 Cases)
Case Weight	23.01 lbs.
Case Dimensions	24" x 16" x 15"
Pallet Dimensions	48" x 40" x 50"
FDA Approved	Yes



NOTES: (UNLESS OTHERWISE SPECIFIED)
 1. ALL DIMENSIONS ARE IN INCHES.
 2. TOLERANCE ON ALL DIMENSIONS IS ± 0.010 ".

#	00.00.00	-	--	PITCH (TPI): 5	# OF TURNS: 1-3/16	MATERIAL: POLYPROPYLENE
REV	DATE	DESCRIPTION	BY	DRAWING #: 89 - 400 - 9613 S		SCALE: 1 : 1
 Supplied By: The Cary Company Ph: 630-629-6600 www.thecarycompany.com				DESCRIPTION: 89-400-62W1 / MEDIUM RIB / '470-TYPE'		
				DRAWN BY: DMN	DATE: 07.27.06	APPROVED BY: LRE REV: 2B

'T' DIM. (SEE CHART) →
 'E' DIM. (SEE CHART) →
 (I' = 2.918 MIN.) →
 0.060 MIN. LAND FOR INDUC./CONDUCT. SEALING APPLICATIONS
 0.050 MIN. LAND FOR NON-INDUC./CONDUCT. SEALING APPLICATIONS
 'S' = 0.060 ± 0.015



NOTES: (UNLESS OTHERWISE SPECIFIED)
 1. ALL DIMENSIONS ARE IN INCHES.
 2. SEE CHART FOR TOLERANCE ON ALL DIMENSIONS.

MATERIAL	T (mean)	E (mean)	TOLERANCE
PP / PE	3.4935	3.3735	± 0.0175
PET	3.499	3.379	± 0.012

REV	00.00.00	DATE	-	DESCRIPTION	BY	-	PITCH (TPI): 5	# OF TURNS: 1-1/2	MATERIAL: SEE CHART
							DRAWING #: 89 - 400 - FINISH		SCALE: 8 : 1
							DESCRIPTION: FINISH FOR USE WITH PCI 89-400 CLOSURES		
DRAWN BY: DMN			DATE: 10.22.07		APPROVED BY: LRE		REV: 0		



Supplied By: **The Cary Company**
 Ph: 630-629-6600
 www.thecarycompany.com