

# IF YOU...



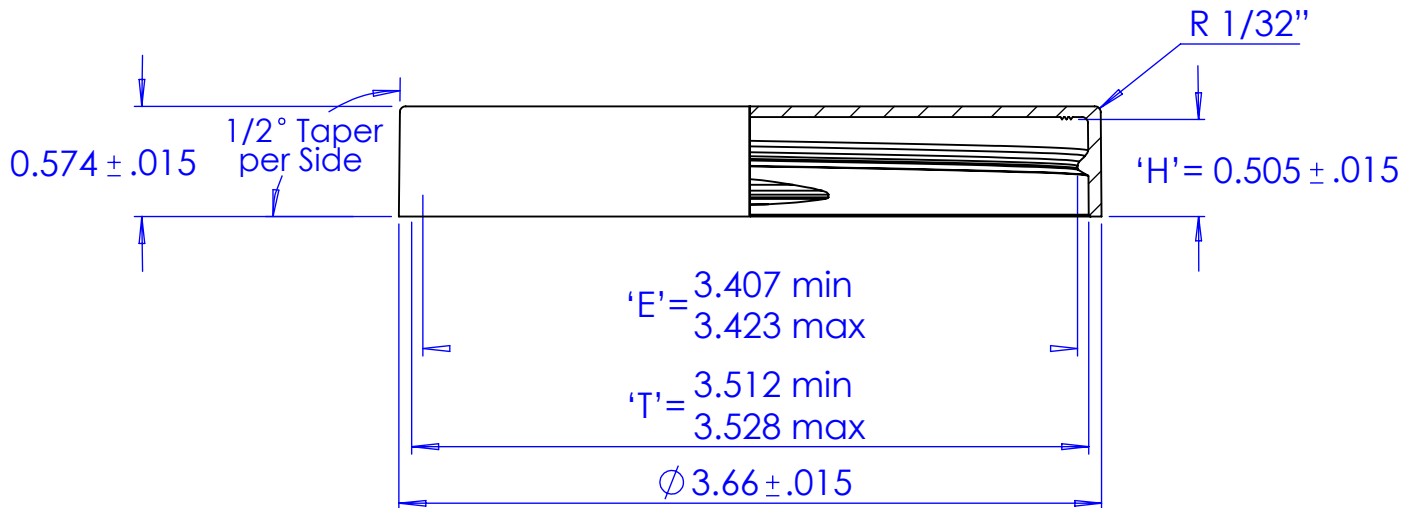
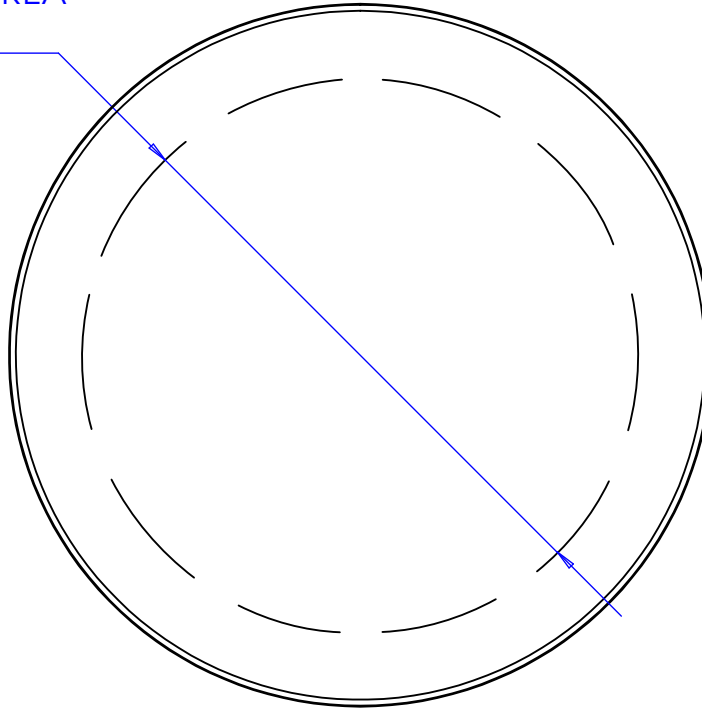
MIX IT. FILL IT. PACK IT. SHIP IT.

# WE HAVE A PRODUCT FOR YOU



Part #	67W8BL
Neck Width	89 mm
Neck Finish	89-400
Liner Compatabilikty	Glass, PE (HDPE, LDPE), PET, PP, PVC, Univeral
Color	Black
Material	PP
Dimensions	3.66" (+/- .015) x 0.574" (+/- .015) - Outside

DECORATION AREA  
Ø 3.30



REVISIONS				UNLESS OTHERWISE NOTED DIMENSIONS ARE IN INCHES TOLERANCE ARE:		MATERIAL: POLYPROPYLENE		PART DESCRIPTION:	
REV.	DATE	DESCRIPTION	BY	DIM.	TOL.	APPROX WEIGHT:	OVERFLOW CAPACITY:	THREAD PITCH:	No. OF THREAD TURNS:
				.00	.015	15.3 GRAMS +/- 3%	N/A	.200 PITCH (5 TPI)	1-1/10
				.000	.010			DRAWN BY: D. TAUNK	DATE: 10/1/2014
COMMENTS: MADE IN U.S.A.								PART CODE: 89SS-PP-UC	
								REV. -	SIZE A
						SCALE: 1:1		DO NOT SCALE DRAWING	
								SHEET 1 OF 1	

**89mm-400 CLOSURE  
SMOOTH SIDE & TOP  
(INSIDE-GATED)**