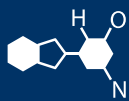


IF YOU...



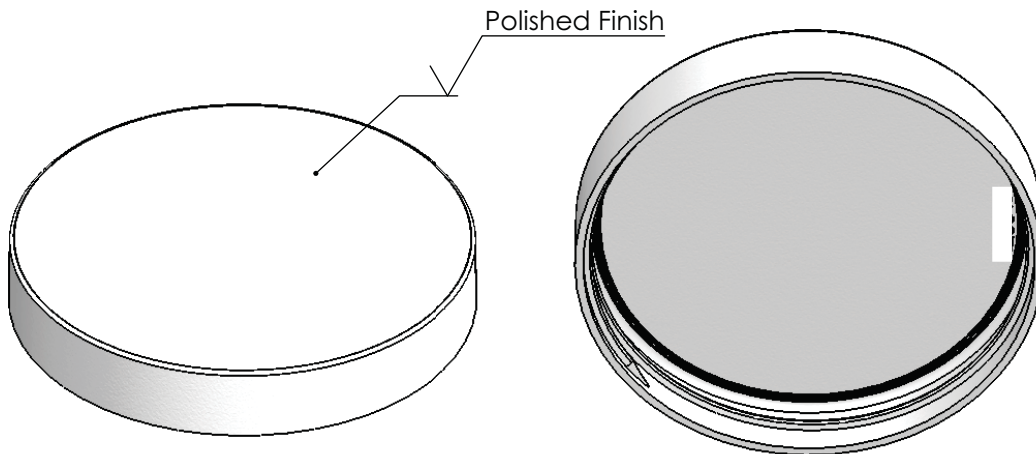
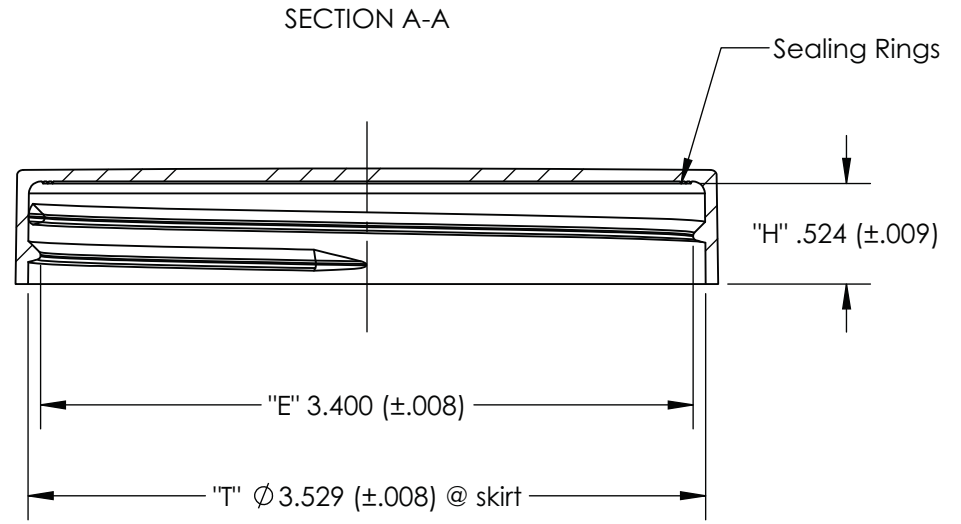
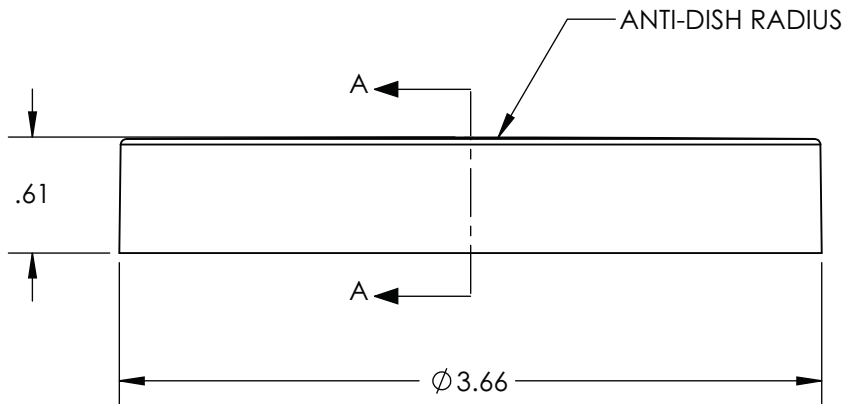
MIX IT. FILL IT. PACK IT. SHIP IT.

WE HAVE A **PRODUCT** FOR YOU

Part # 67W8BP

89mm 89-400 Black Smooth Plastic Cap, Unlined





DRAWING NAME:		PART DWG - C089PPWSS - MCH016-043	
PART NAME:		PART #:	REV:
89 mm Smooth Top Smooth Side Closure		C089PPWSS : MCH016-043	C
 <p>PH 630-629-6600 - FX 630-629-3690 1195 W. FULLERTON AVE. - ADDISON, IL 60101 WWW.THECARYCOMPANY.COM</p>		2 0 1 2	BY: DATE:
		DRAWN	S.B. 4/17/2012
		CHECKED	S.B. 4/17/2012
		APPROVED	S.B. 4/17/2012
		DIMENSIONS ARE IN INCHES	
TOLERANCES (UNLESS SPECIFIED)		.00 = ± .015 .000 = ± .010	
THREAD PITCH:	# OF THREAD TURNS:	ANGULAR TOLERANCE	
5 T.P.I.	1-1/4 TURNS	± 1/2 DEGREE	
GATE LOCATION:	PART WEIGHT:	THIRD ANGLE PROJECTION	
EXTERIOR - SIDE WALL	15 Grams (±5%)		
MATERIAL:	PLASTIC FINISH NUMBER 400	SHEET SCALE:	SHEET SIZE:
POLYPROPYLENE		FULL	A