

IF YOU...



MIX IT. FILL IT. PACK IT. SHIP IT.

WE HAVE A PRODUCT FOR YOU



Part #	67W8WL
Neck Width	89mm
Neck Finish	89-400
Cap Liner	SureSeal® SS-222 3-Ply Co-Extruded Foam Liner
Color	White
Material	PP
Case Pack	640 ea.
Pallet Pack	9,600 ea. (15 Cases)
Case Weight	28.454 lbs.
Case Dimensions	24" x 16" x 15"
Pallet Dimensions	48" x 40" x 50"
FDA Approved	Yes



Supplied By: **The Cary Company**

Ph: 630-629-6600

www.thecarycompany.com



08940085 S
Smooth Top & Sides

Features

- Shallow skirted closure

Product Benefits

- Popular for cosmetics
- Smooth top and sides lend a "clean" look to the package

Markets

- Nutraceuticals
- Personal care/Cosmetics
- Pharmaceuticals

Options

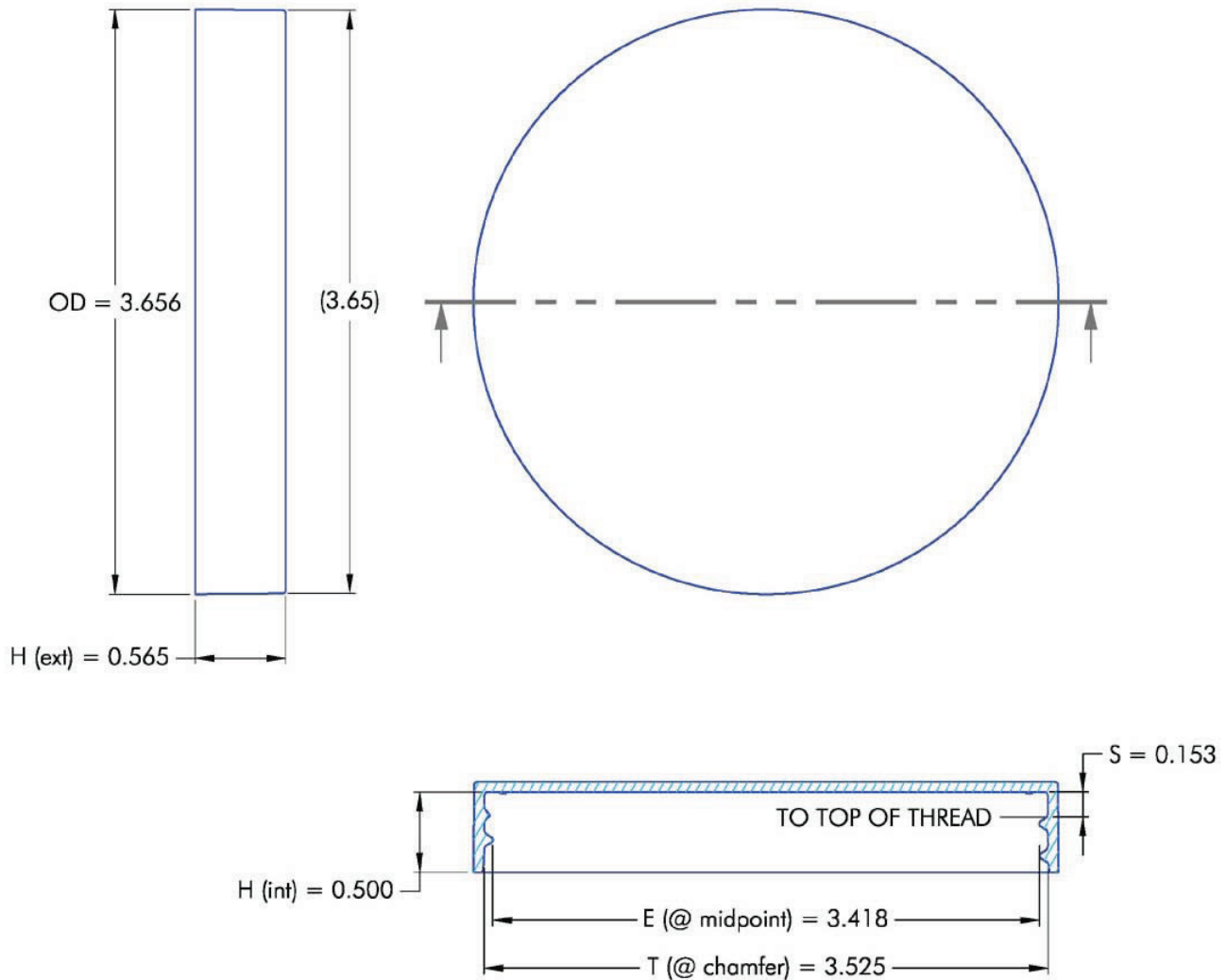
- Available in white, several standard colors and custom colors
- Can be lined with a wide variety of liner systems including SureSeal (foam), pressure sensitive and heat induction (foil) liners
- Liners can be cut with a pull-tab easy-open feature
- Offset printing is available on this closure in up to three colors

Standard Pack

Type	Pack Qty	Pallet Qty	Tote Qty
Bulk U/L	450	6,750	0
Bulk Lined	500	7,500	0



Supplied By: **The Cary Company**
 Ph: 630-629-6600
 www.thecarycompany.com



NOTES: (UNLESS OTHERWISE SPECIFIED)
 1. ALL DIMENSIONS ARE IN INCHES.
 2. TOLERANCE ON ALL DIMENSIONS IS ± 0.010 INCHES.

REV	DATE	DESCRIPTION	BY

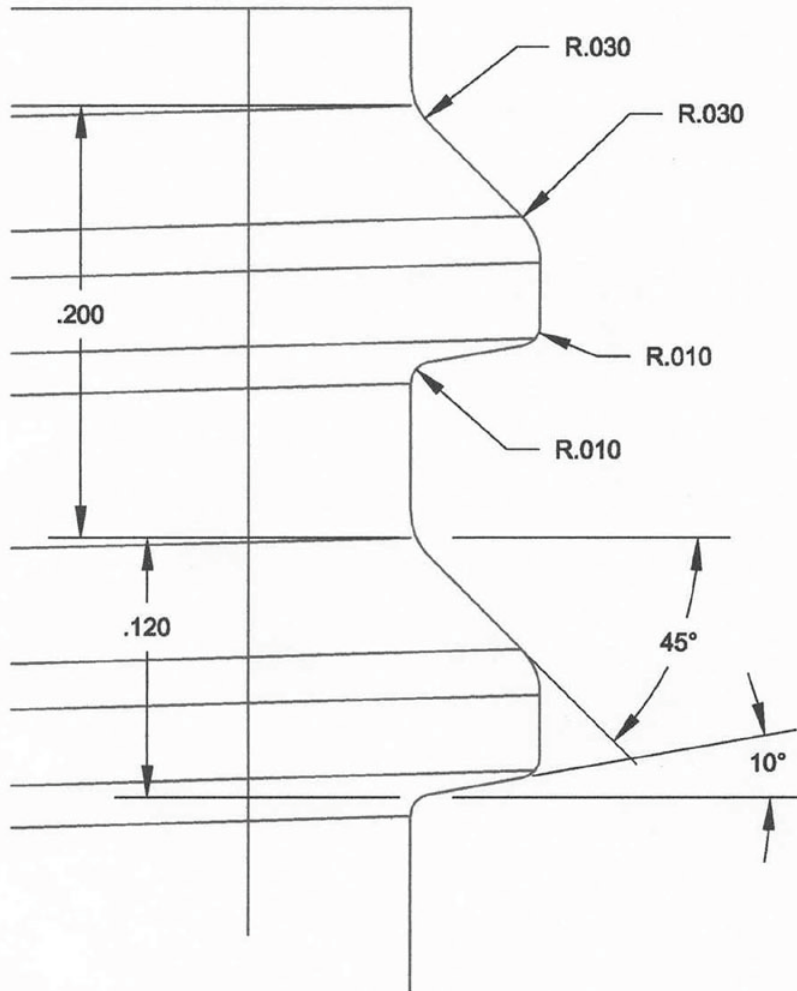
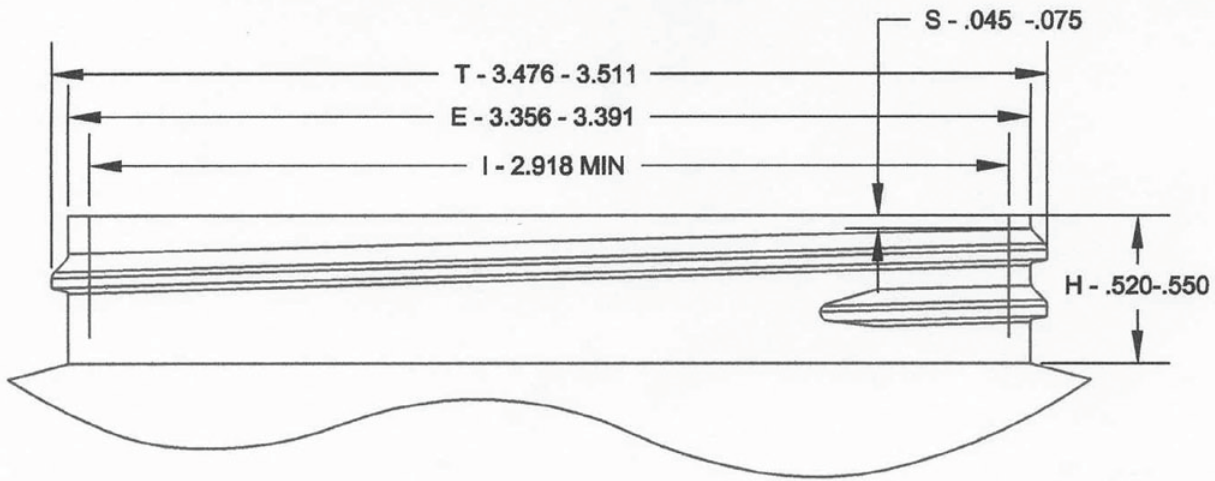
PITCH (TPI): 5	# OF TURNS: 1-1/4	MATERIAL: POLYPROPYLENE
DRAWING #:		89-400-85 (S)
DESCRIPTION:		
89-400 CAP WITH SMOOTH TOP AND SKIRT		
FILE:	89-400-85.dwg	SCALE: 1 : 1
DRAWN BY: BEZ	DATE: 09.07.01	APPRVD BY: LRE
REV: -	WP	



Supplied By: **The Cary Company**

Ph: 630-629-6600

www.thecarycompany.com



Rev.	Date:	Disc.
PITCH: 5TPI		
TURNS OF THREAD: 1 min.		
DRAWN BY: B. ZEMLO DWG. DATE: 10-22-97 PRINTED DATE: 5-8-00 APPROVED BY:		
89-400 CONTAINER FINISH		
DWG PRNT#: 89400-1		