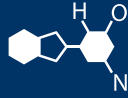


IF YOU...

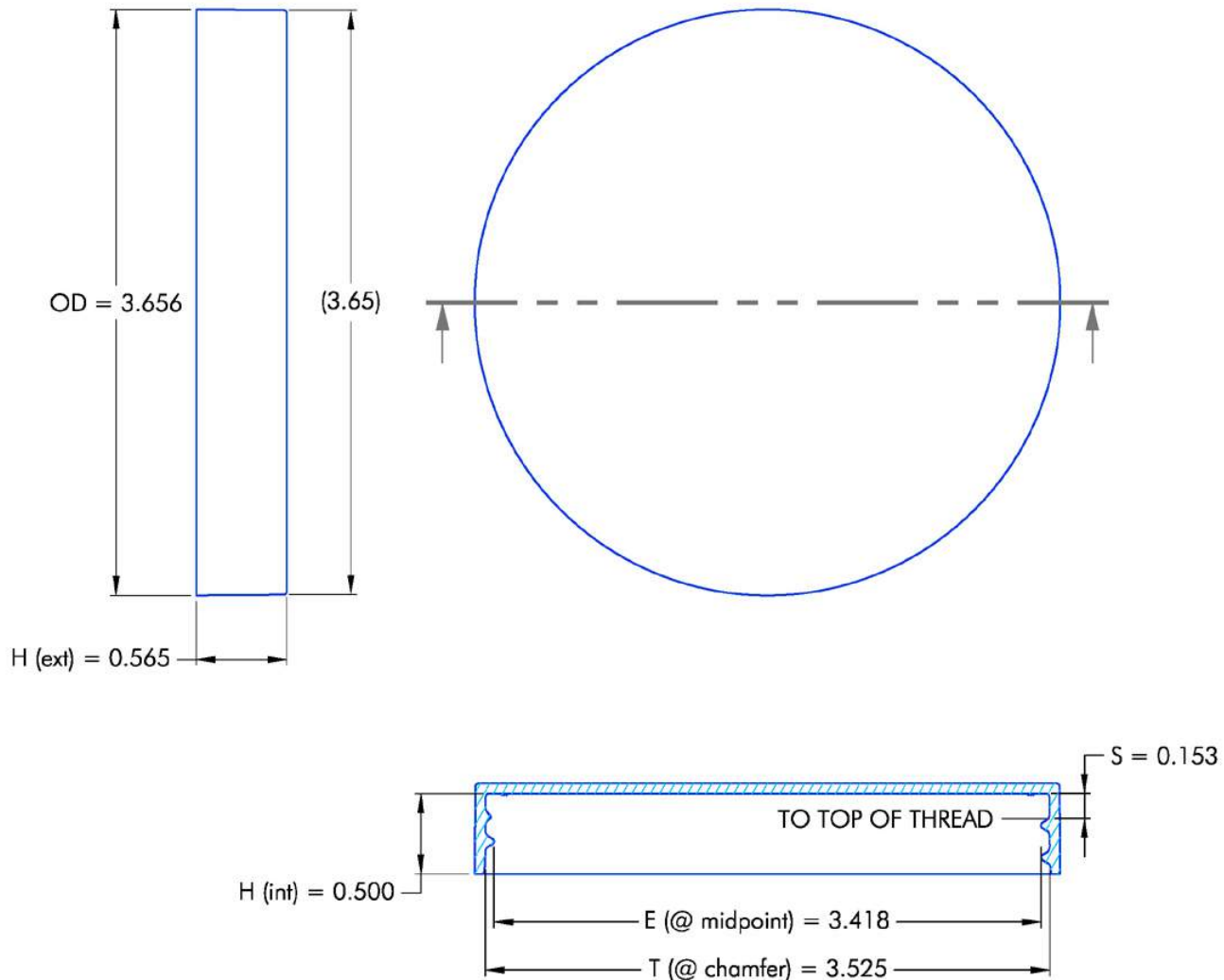


MIX IT. FILL IT. PACK IT. SHIP IT.

WE HAVE A PRODUCT FOR YOU



Part #	67W8WP
Neck Width	89mm
Neck Finish	89-400
Cap Liner	Unlined - No Liner
Color	White
Material	PP
Case Pack	640 ea.
Pallet Pack	9,600 ea. (15 Cases)
Case Weight	26.394 lbs.
Pallet Weight	396 lbs.
Case Dimensions	24" x 16" x 15"
Pallet Dimensions	48" x 40" x 50"



NOTES: (UNLESS OTHERWISE SPECIFIED)

1. ALL DIMENSIONS ARE IN INCHES.
2. TOLERANCE ON ALL DIMENSIONS IS ± 0.010 INCHES.

REV	DATE	DESCRIPTION	BY

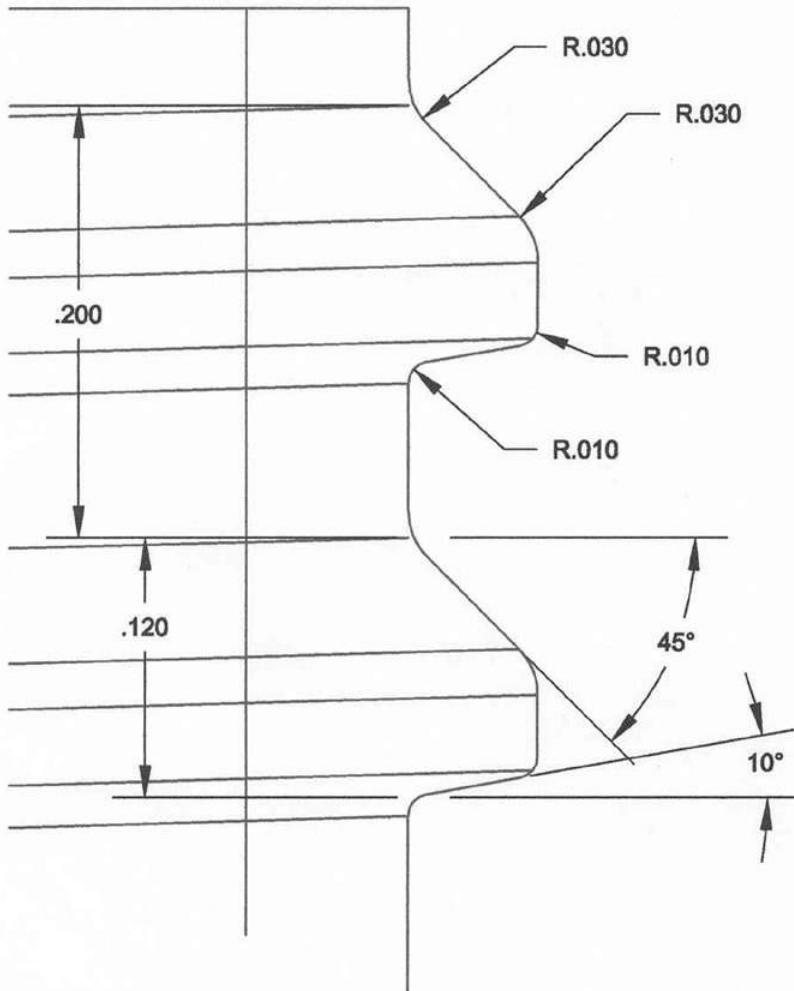
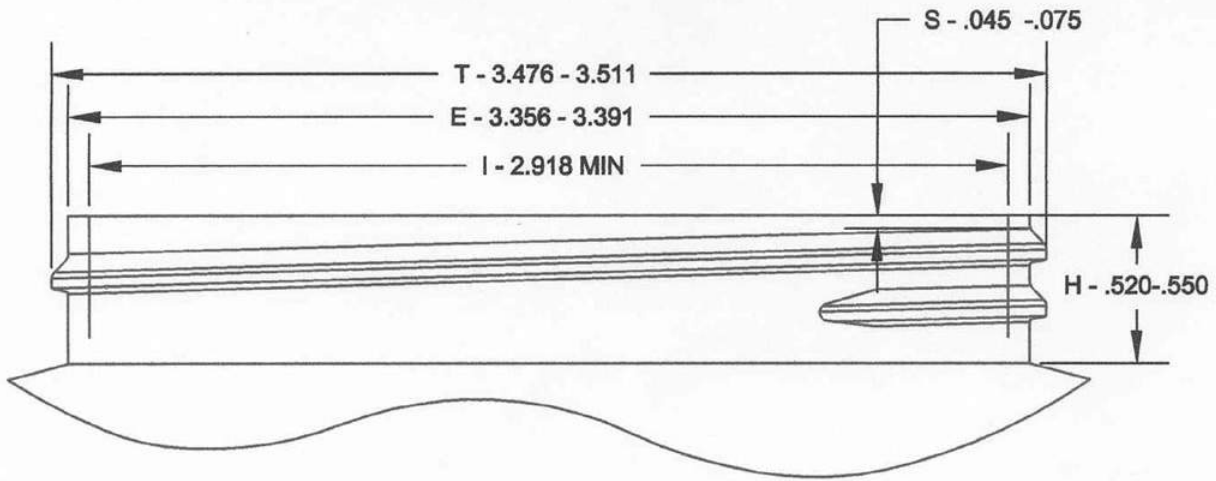
PITCH (TPI):	5	# OF TURNS:	1-1/4	MATERIAL:	POLYPROPYLENE
DRAWING #:	89-400-85 (S)				
DESCRIPTION:	89-400 CAP WITH SMOOTH TOP AND SKIRT				
FILE:	89-400-85.dwg	SCALE:	1 : 1		
DRAWN BY:	BEZ	DATE:	09.07.01	APPRVD BY:	LRE
REV:	-	WP			

Supplied By: **The Cary Company**

Ph: 630-629-6600

www.thecarycompany.com





Rev.	Date:	Disc.
PITCH: 5TPI		
TURNS OF THREAD: 1 min.		
DRAWN BY: B. ZEMLO		
DWG. DATE: 10-22-97		
PRINTED DATE: 5-8-00		
APPROVED BY:		
89-400		
CONTAINER FINISH		
DWG PRNT#: 89400-1		

