

IF YOU...

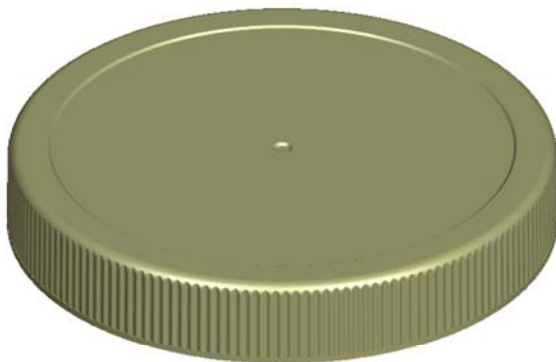
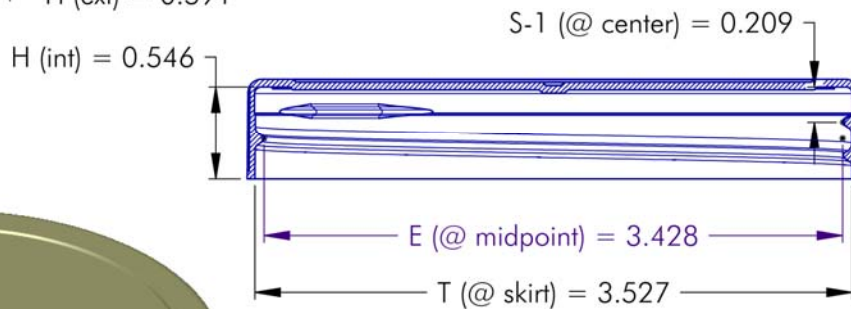
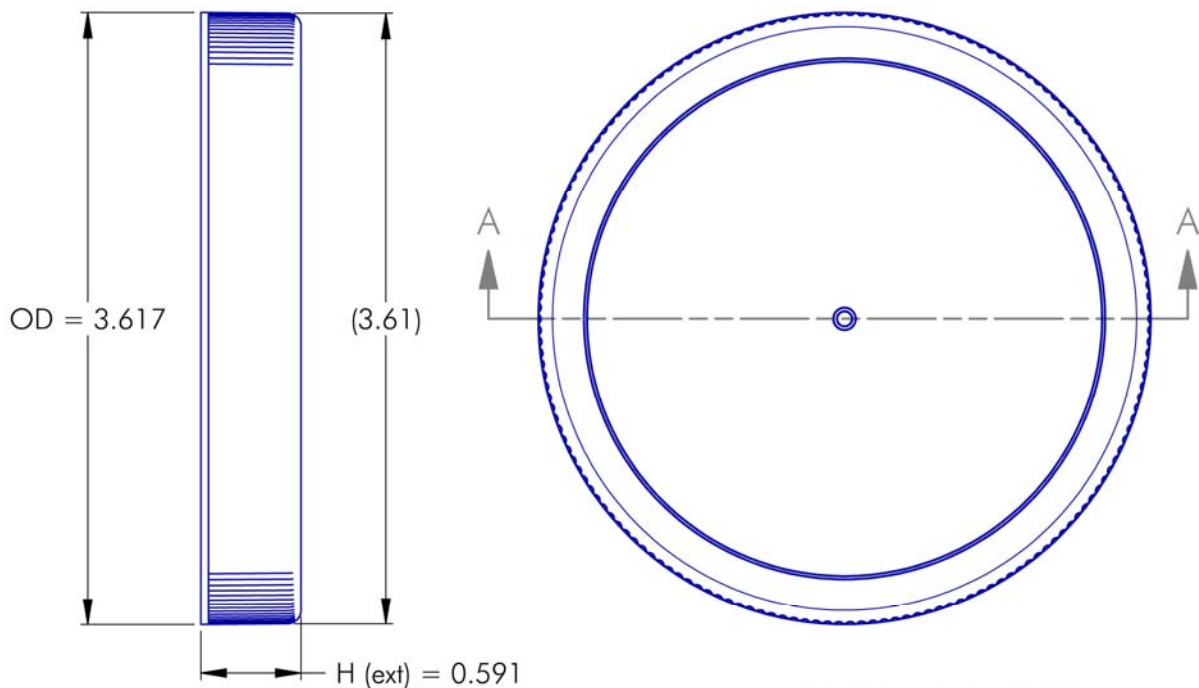


MIX IT. FILL IT. PACK IT. SHIP IT.

WE HAVE A PRODUCT FOR YOU



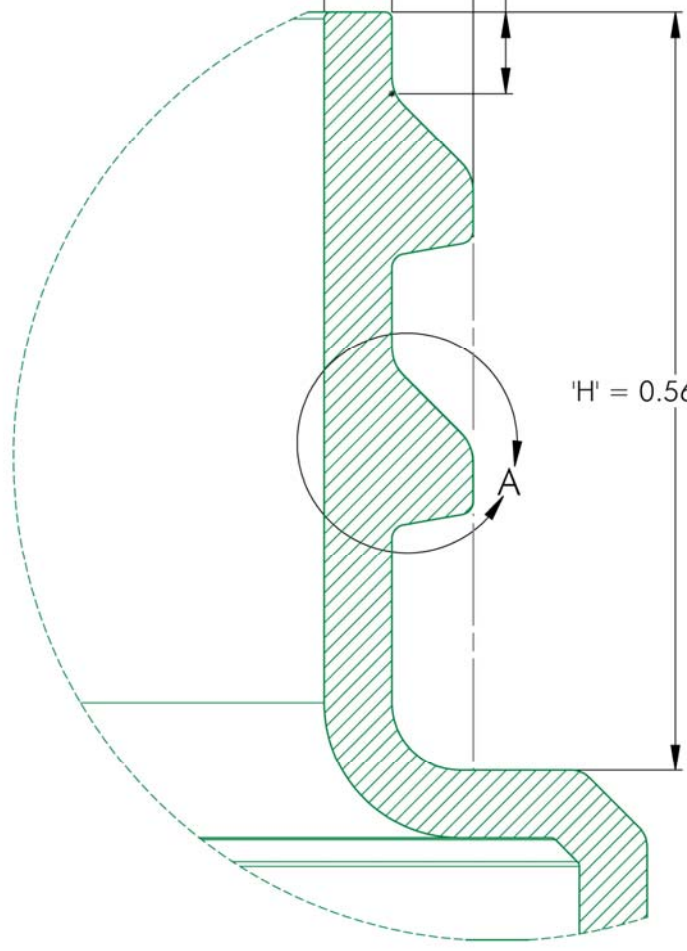
Part #	67W8WR
Neck Width	89mm
Neck Finish	89-400
Cap Liner	Unlined - No Liner
Color	White
Material	PP
Case Pack	624 ea.
Pallet Pack	9,360 ea. (15 Cases)
Case Weight	19.76 lbs.
Pallet Weight	296 lbs.
Case Dimensions	24" x 16" x 15"
Pallet Dimensions	48" x 40" x 50"



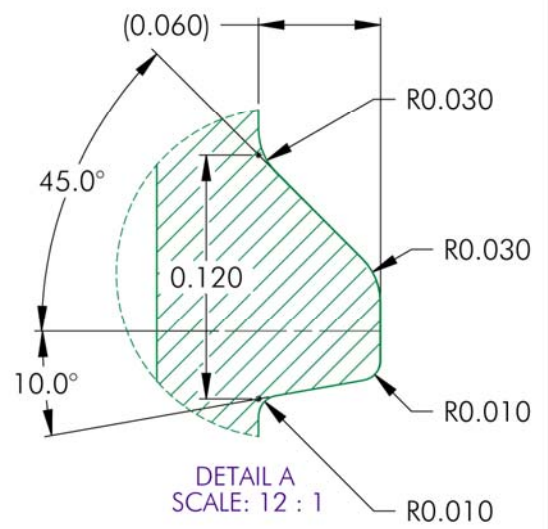
NOTES: (UNLESS OTHERWISE SPECIFIED)
 1. ALL DIMENSIONS ARE IN INCHES.
 2. TOLERANCE ON ALL DIMENSIONS IS ± 0.010 ".

#	00.00.00	-	--	PITCH (TPI): 5	# OF TURNS: 1-3/16	MATERIAL: POLYPROPYLENE
REV	DATE	DESCRIPTION	BY	DRAWING #: 89 - 400 - 9613 S		SCALE: 1 : 1
				DESCRIPTION: 89-400-62W1 / MEDIUM RIB / '470-TYPE'		
				DRAWN BY: DMN	DATE: 07.27.06	APPROVED BY: LRE REV: 2B

'I' DIM. (SEE CHART)
 'E' DIM. (SEE CHART)
 ('I' = 2.918 MIN.)
 0.060 MIN. LAND FOR INDUC./CONDUCT. SEALING APPLICATIONS
 0.050 MIN. LAND FOR NON-INDUC./CONDUCT. SEALING APPLICATIONS
 'S' = 0.060 ± 0.015



'H' = 0.560 MIN.



NOTES: (UNLESS OTHERWISE SPECIFIED)
 1. ALL DIMENSIONS ARE IN INCHES.
 2. SEE CHART FOR TOLERANCE ON ALL DIMENSIONS.

MATERIAL	T (mean)	E (mean)	TOLERANCE
PP / PE	3.4935	3.3735	± 0.0175
PET	3.499	3.379	± 0.012

REV	DATE	DESCRIPTION	BY	PITCH (TPI): 5	# OF TURNS: 1-1/2	MATERIAL: SEE CHART
-	00.00.00	-	-	DRAWING #: 89 - 400 - FINISH		SCALE: 8 : 1
DESCRIPTION:				FINISH FOR USE WITH PCI 89-400 CLOSURES		
DRAWN BY: DMN		DATE: 10.22.07	APPROVED BY: LRE	REV: 0		



Supplied By: **The Cary Company**
 Ph: 630-629-6600
 www.thecarycompany.com