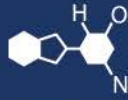


IF YOU...



MIX IT. FILL IT. PACK IT. SHIP IT.

WE HAVE A PRODUCT FOR YOU

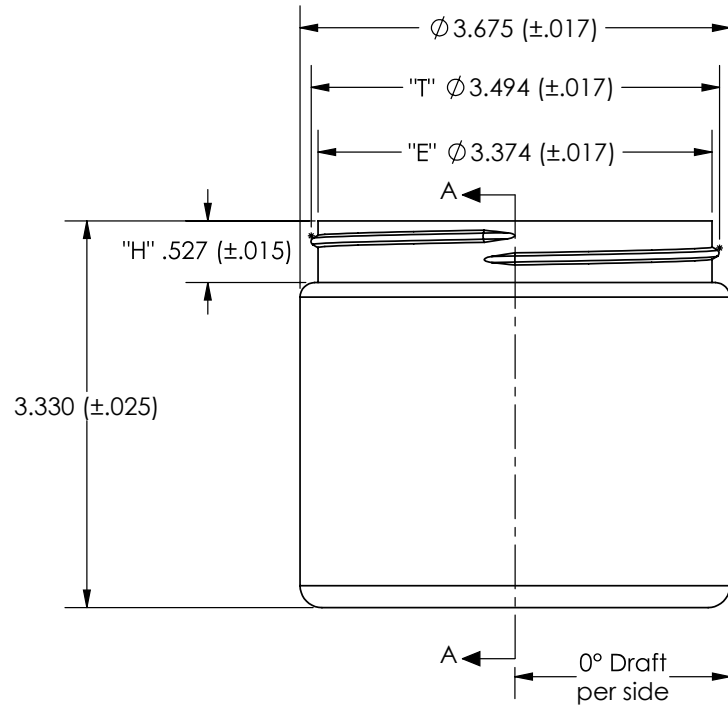
Part #: 67WB16



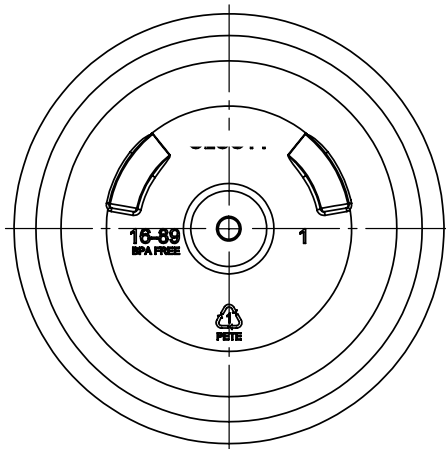
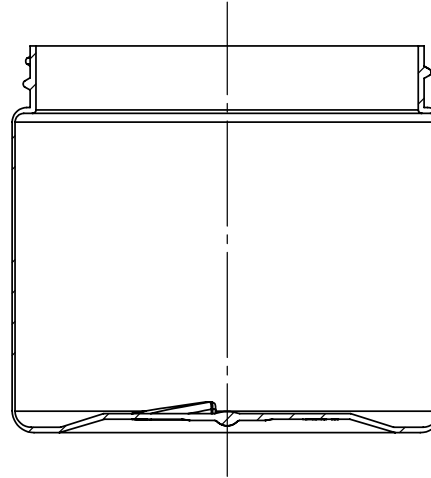
The
CARYCOMPANY
Est. 1895

1195 W. Fullerton Ave. | Addison, IL 60101 | T: 630.629.6600 | F: 630.629.3690 |

PROPRIETARY AND CONFIDENTIAL:
 THE INFORMATION CONTAINED IN THIS DRAWING IS THE SOLE PROPERTY OF THE CARY COMPANY.
 ANY REPRODUCTION IN PART OR AS A WHOLE WITHOUT THE WRITTEN PERMISSION OF THE CARY COMPANY IS PROHIBITED.



SECTION A-A



DRAWING NAME:		PART DWG - 67WB16		PART #:		REV:	
PART NAME:		16 Oz 89mm 89-400 Black PET Straight Sided Jar		67WB16		A	
The CARY COMPANY		2019		BY:		DATE:	
Est. 1895		DRAWN		S.J.		12/17/2019	
		CHECKED		P.M.		2/7/2020	
		APPROVED		B.C.		2/7/2020	
THREAD PITCH:		# OF THREAD TURNS:		TOLERANCES		DIMENSIONS ARE IN INCHES	
5 T.P.I.		1 FULL TURNS		(UNLESS SPECIFIED)		.00 = ±.015	
DRAFT ANGLE:		PROJECTED COSMETIC FILL:		ANGULAR TOLERANCE		.000 = ±.010	
0° Degree		450 (±11) mL 15.2 (±.4) OZ		± 1/2 DEGREE			
GATE LOCATION:		PROJECTED OVERFLOW:		THIRD ANGLE PROJECTION			
EXTERIOR - CENTER		522 (±11) mL 17.6 (±.4) OZ					
MATERIAL:		PART WEIGHT:		SHEET SCALE:		SHEET SIZE:	
PETE		38.5 Grams (±5%)		FULL		A	