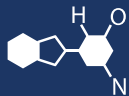


IF YOU...



MIX IT. FILL IT. PACK IT. SHIP IT.

WE HAVE A PRODUCT FOR YOU

Part #: 67WBJ1

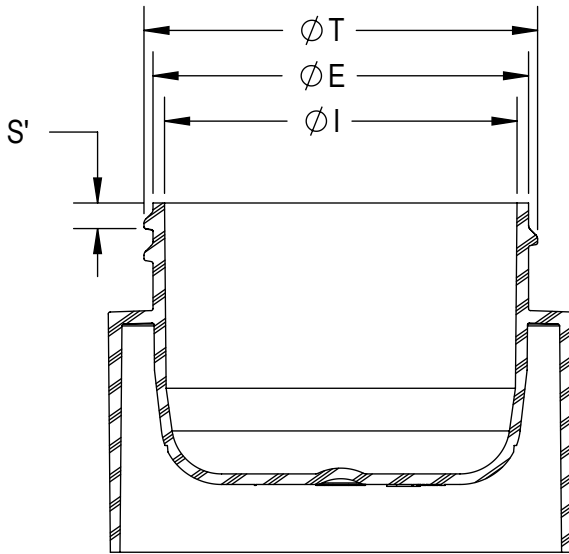
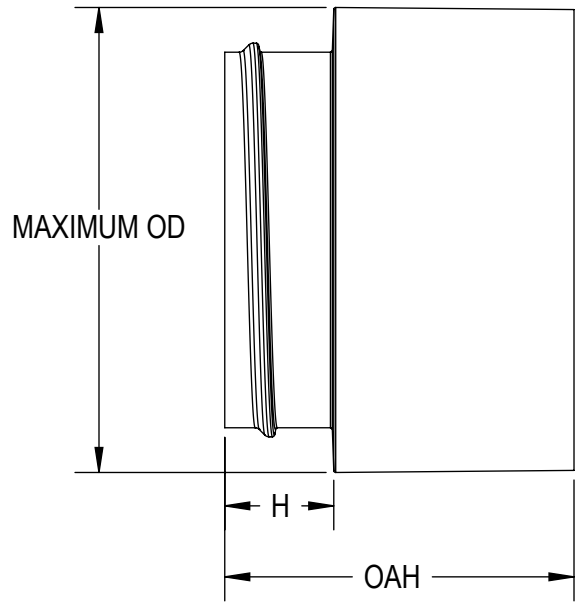
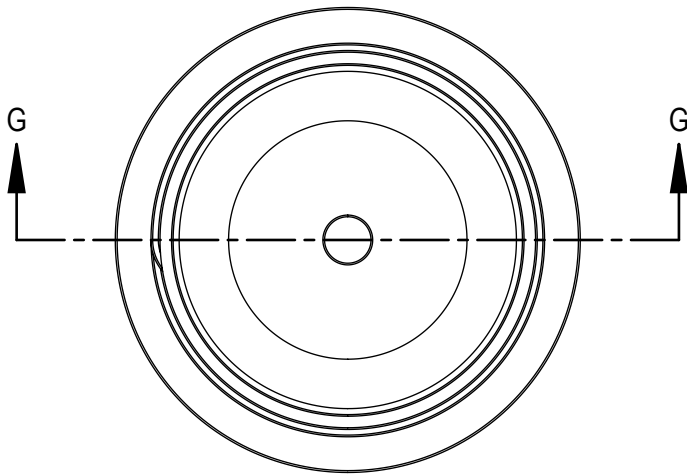
Plastic Wide Mouth Jars

1.5 oz. Black PP Plastic Open Bottom Jar, 53mm 53-400



The
CARYCOMPANY
Est. 1895

1195 W. Fullerton Ave. | Addison, IL 60101 | T: 630.629.6600 | F: 630.629.3690 |



SECTION G-G

THREAD DETAIL INFORMATION
6 THREADS PER INCH, 0.167 PITCH

REFERENCE	TOLERANCE	DIMENSION	UNITS
T	±0.010 [0.25]	2.048 [52.02]	in [mm]
E	±0.010 [0.25]	1.956 [49.68]	in [mm]
I	±0.010 [0.25]	1.836 [46.63]	in [mm]
S'	±0.010 [0.25]	0.133 [3.38]	in [mm]
H	±0.010 [0.25]	0.572 [14.53]	in [mm]
OAH	±0.020 [0.51]	1.824 [46.32]	in [mm]
MAXIMUM OD	±0.015 [0.38]	2.415 [61.34]	in [mm]
PART WEIGHT	±1.00	18.20	g
MAXIMUM VOLUME	±5%	1.97 [58]	oz [cc]

STATIC TORQUE RECOMMENDATION
21-36 in-lbs
THIS REQUIREMENT MAY VARY DEPENDING
UPON BOTTLE MATERIAL, NECK FINISH, AND
CAPPING EQUIPMENT

DRAWING TYPE : CUSTOMER

REPLACES DRAWING:

DIMENSIONS ENCLOSED IN ()
INDICATE REFERENCE
DIMENSIONS AND NO TOLERANCE
LIMITS ARE ESTABLISHED

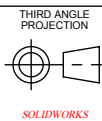
TOLERANCES UNLESS OTHERWISE SPECIFIED

DIMENSION (inches)	TOLERANCE	DIMENSION (mm)	TOLERANCE
0-0.787	±0.006	0-20	±0.152
0.788-1.181	±0.008	21-30	±0.203
1.182-2.756	±0.012	31-70	±0.305
2.757-3.937	±0.016	71-100	±0.406
3.938-5.096	±0.020	101-150	±0.508
5.097-7.874	±0.024	151-200	±0.610
7.875-9.843	±0.032	201-250	±0.813

ANGULAR TOLERANCE ± 2°

PROPRIETARY AND CONFIDENTIAL

The
CARY COMPANY
Est. 1895



DISTRIBUTION
CODE
D

DRAWING NAME
**1.5oz 53mm Jar
Open Bottom Jar**

DRAWING NUMBER
CQA - 11184

MATERIAL
POLYPROPYLENE

DRAWN BY: BDG 10/26/2018

ENG APPR: BDG

QA APPR: XXX

MODEL NUMBER:
PM 11184 1.5oz-53mm Open Botton Jar

SCALE	SHEET SIZE	SHEET	REV/ NP
1:1	8.5in*11in	1 of 2	00.AC