

IF YOU...



MIX IT. FILL IT. PACK IT. SHIP IT.

WE HAVE A PRODUCT FOR YOU

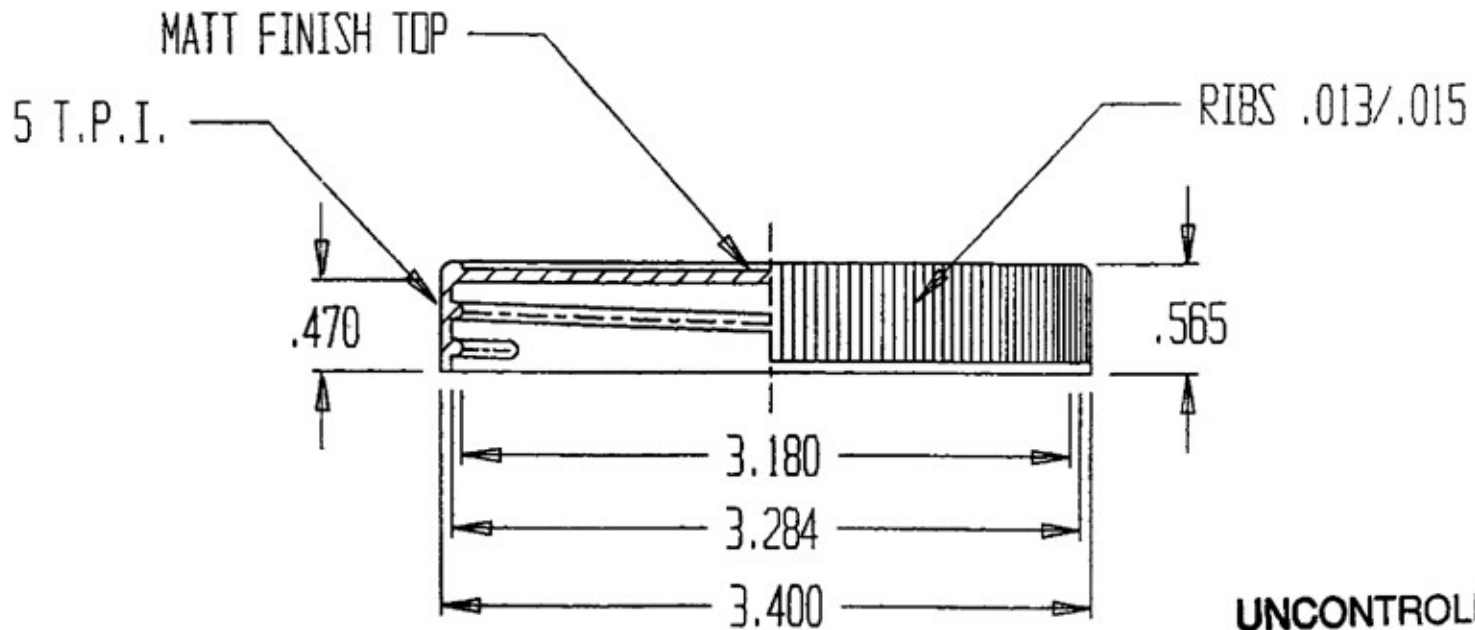


Part #	67WBL8
Neck Width	83mm
Neck Finish	83-400
Cap Liner	F-217 [®] 3-Ply Co-extruded Foam Liner
Color	Black
Material	PP
Case Pack	500 ea.
Pallet Pack	17,500 ea. (35 Cases)
Case Weight	15 lbs.
Case Dimensions	20.25" x 13.875" x 15.5"
FDA Approved	Yes

REVISIONS			
REV.	DATE	APPROVAL	DESCRIPTION

The
CARY COMPANY
 Est. 1895

APPROVED
 (80-7594)



UNCONTROLLED COPY

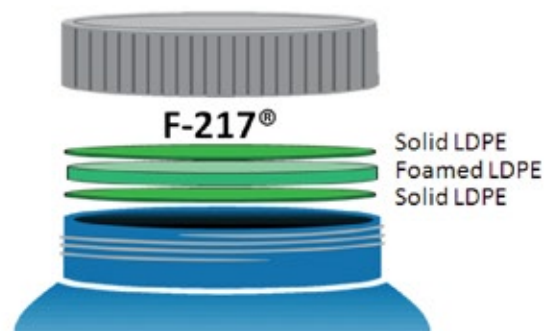
"T"	"E"	"H"	"A"	"B"
3.284	3.180	.470	3.400	.565

R.M.83 M.M./400 CAP

MATERIAL: POLYPROPYLENE
WEIGHT: 11.2 GRAMS "AVERAGE"

TOLERANCE: +/- .010 **DRAWN BY:** P.D.T.
SCALE: FULL **DATE:** 7-5-94

- This data sheet describes F-217® products
- This product is a three-ply co-extruded liner consisting of a foamed Low Density Polyethylene (LDPE) core sandwiched between two layers of solid Low Density Polyethylene



Typical Product Attributes

Construction

Structure	Solid LDPE / Foamed LDPE / Solid LDPE	Solid LDPE / Foamed LDPE / Solid LDPE
Color	White or as Specified	White or as Specified
Density		
for 20 ~ 30 mil (0,51 ~ 0,76 mm)	0,48 ± 0,03 g / cm ³	30 ± 2 lbs / ft ³
for 35 ~ 125 mil (0,89 ~ 3,18 mm)	0,40 ± 0,03 g / cm ³	25 ± 2 lbs / ft ³
Thickness Tolerance		
for 20 ~ 60 mil (0,51 ~ 1,52 mm)	± 0,127 mm	± 5 mil
for 65 ~ 90 mil (1,65 ~ 2,29 mm)	± 0,178 mm	± 7 mil
for 95 ~ 125 mil (2,41 ~ 3,18 mm)	± 0,254 mm	± 10 mil
Available Width		
for 20 ~ 60 mil (0,51 ~ 1,52 mm)	22,2 ~ 1016,0 mm	7/8 ~ 40 inch
for 65 ~ 125 mil (1,65 ~ 3,18 mm)	25,4 ~ 228,6 mm	1 ~ 9 inch
Width tolerance	± 1,6 mm	± 1/16 inch

Regulatory Compliance

FDA Compliance	21 CFR 177.1520 (Olefin Polymers) 21 CFR 177.1210 (Closures with Sealing Gaskets for Food Containers) 21 CFR 175.300 (Resinous and Polymeric Coatings)
Drug Master File (DMF)	2434
Other Compliances	USFDA Food Allergen Guidelines; California Proposition 65 Labeling Requirements; Limitations of Heavy Metals in Packaging per CONEG & EU 94/62/EC, Article 11