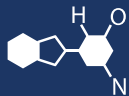


IF YOU...



MIX IT. FILL IT. PACK IT. SHIP IT.

WE HAVE A PRODUCT FOR YOU

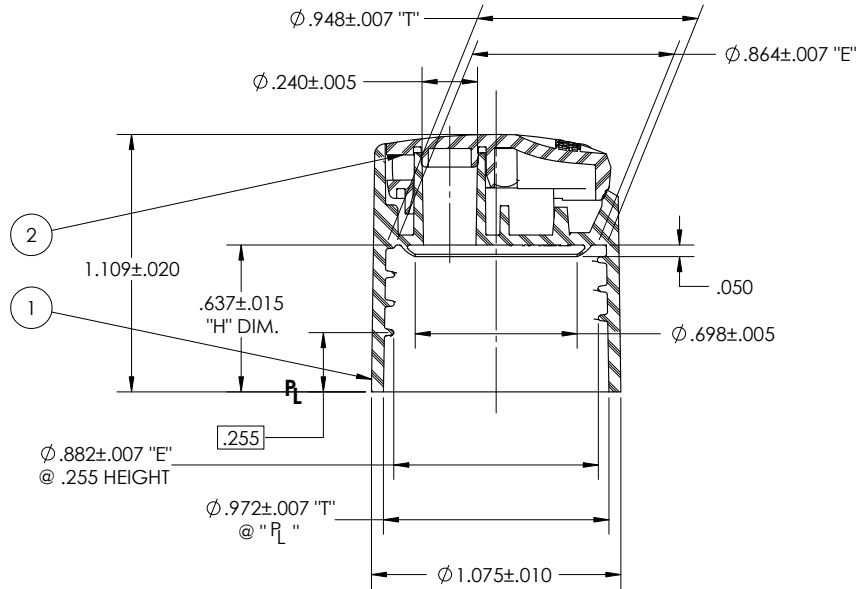
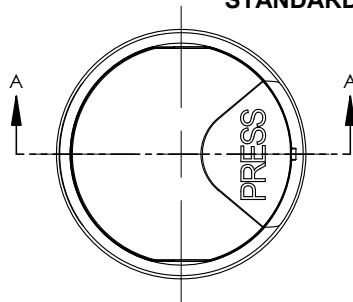
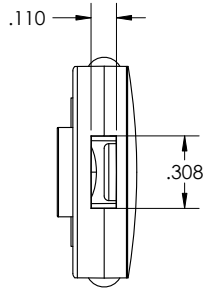
Part #: 67WD01



The
CARYCOMPANY
Est. 1895

1195 W. Fullerton Ave. | Addison, IL 60101 | T: 630.629.6600 | F: 630.629.3690 |

STANDARD PART DRAWING



SECTION A-A

P: 630-629-6600 | F: 630-629-3690
 1195 W. Fullerton Ave. Addison, IL 60101
 www.thecarycompany.com

THIS DRAWING IS PROVIDED FOR INFORMATIONAL PURPOSES ONLY. THE INFORMATION SHOWN MAY BE DIMENSIONALLY CONTROLLED OR FUNCTIONALLY CONTROLLED.

UNLESS OTHERWISE SPECIFIED:
 DIMENSIONS ARE IN INCHES
 TOLERANCES:

ANGULAR: $\pm 15'$
 TWO PLACE DECIMAL $\pm .010$
 THREE PLACE DECIMAL $\pm .005$

INTERPRET GEOMETRIC TOLERANCING PER:

MATERIAL - FORMULATION - COLOR: REFER TO SPECIFICATION

FINISH: REFER TO SPECIFICATION

NAME	DATE
lgf	7/20/05
CHECKED	
ENG APPR.	
MFG APPR.	
Q.A.	

COMMENTS:

ITEM NO.	PART NUMBER	DESCRIPTION	QTY.
1	5402_A	24mm EASY OPEN BASE CAP	1
2	7403_A	24mm EASY OPEN LID	1

24mm EASY OPEN CAP SMOOTH WALL



SIZE B	DWG. NO. 10-5402	REV -
SCALE: 2 : -1 WEIGHT: 4.6 grams		SHEET 1 OF 1

REV -
10-5402