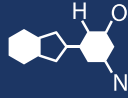


# IF YOU...



MIX IT. FILL IT. PACK IT. SHIP IT.

# WE HAVE A PRODUCT FOR YOU

Part #: 67WD08

---

---



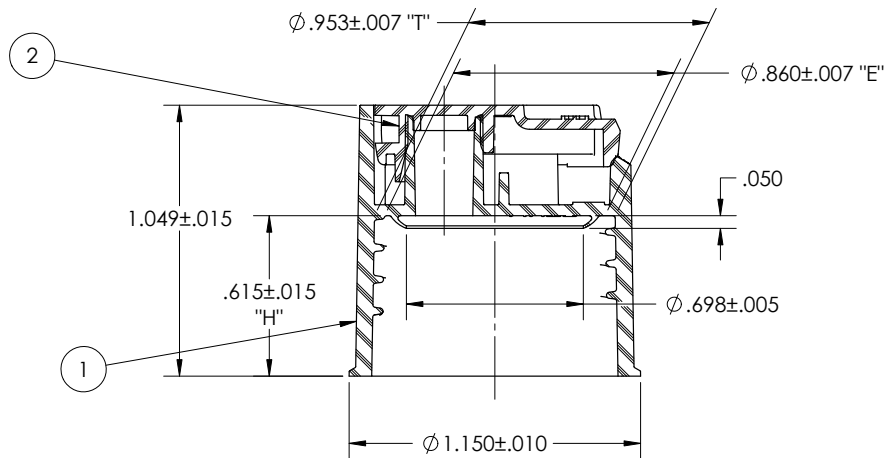
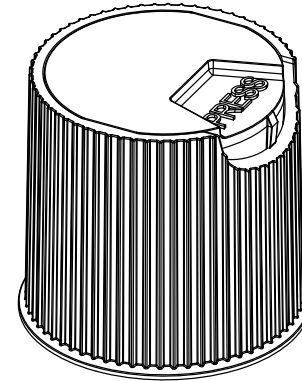
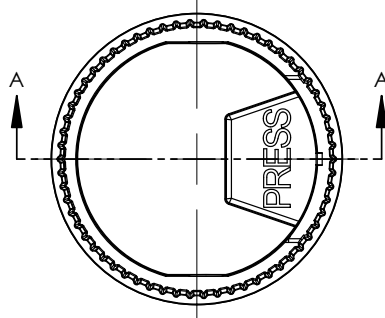
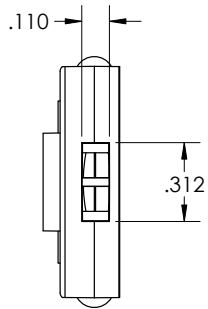
---

The  
**CARY**COMPANY  
Est. 1895

1195 W. Fullerton Ave. | Addison, IL 60101 | T: 630.629.6600 | F: 630.629.3690 |

STANDARD PART DRAWING

The **CARY COMPANY**  
Est. 1895



SECTION A-A

ITEM NO.	PART NUMBER	DESCRIPTION	QTY.
1	5400	24mm EASY OPEN BAS CAP	1
2	7410	24mm EASY OPEN LID	1

P: 630-629-6600 | F: 630-629-3690  
1195 W. Fullerton Ave. Addison, IL 60101  
www.thecarycompany.com

THIS DRAWING IS PROVIDED FOR INFORMATIONAL PURPOSES ONLY. THE INFORMATION SHOWN MAY BE DIMENSIONALLY CONTROLLED OR FUNCTIONALLY CONTROLLED.

UNLESS OTHERWISE SPECIFIED:		
DIMENSIONS ARE IN INCHES	DRAWN	NAME
TOLERANCES:	CHECKED	DATE
ANGULAR: ±0°15'	ENG APPR.	
TWO PLACE DECIMAL ±.010	MFG APPR.	
THREE PLACE DECIMAL ±.005	Q.A.	
INTERPRET GEOMETRIC TOLERANCING PER:	COMMENTS:	
MATERIAL - FORMULATION - COLOR: REFER TO SPECIFICATION		
FINISH: REFER TO SPECIFICATION		
NEXT ASSY	USED ON	
APPLICATION		

24mm EASY OPEN CAP FINE RIBBED

The **CARY COMPANY**  
Est. 1895

SIZE	DWG. NO.	REV
<b>B</b>	10-5410	-
SCALE: - : -	WEIGHT: 4.65 grams	SHEET 1 OF 1

REV -  
B 10-5410