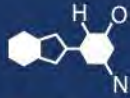


IF YOU...



MIX IT. FILL IT. PACK IT. SHIP IT.

WE HAVE A **PRODUCT** FOR YOU

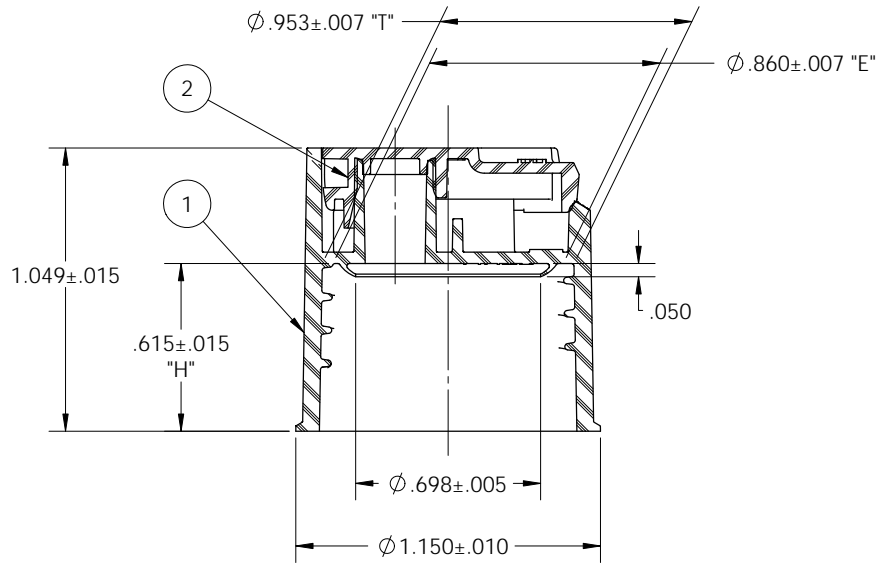
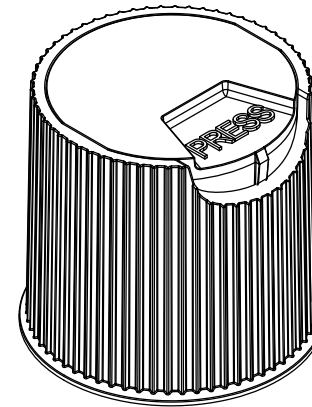
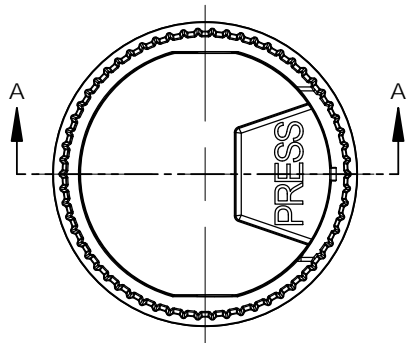
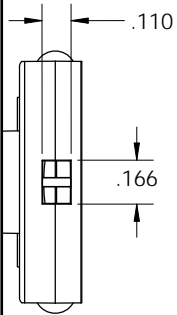
Part #: 67WD19



The
CARYCOMPANY
Est. 1895

1195 W. Fullerton Ave. | Addison, IL 60101 | T: 630.629.6600 | F: 630.629.3690 |

STANDARD PART DRAWING



SECTION A-A

ITEM NO.	PART NUMBER	DESCRIPTION	QTY.
1	5400	24mm EASY OPEN BASE CAP	1
2	7412	24mm EASY OPEN LID	1

THIS DRAWING IS PROVIDED FOR INFORMATIONAL PURPOSES ONLY. THE INFORMATION SHOWN MAY BE DIMENSIONALLY CONTROLLED OR FUNCTIONALLY CONTROLLED.

PROPRIETARY AND CONFIDENTIAL
THE INFORMATION CONTAINED IN THIS DRAWING IS THE SOLE PROPERTY OF THE CARY COMPANY. ANY REPRODUCTION IN PART OR AS A WHOLE WITHOUT THE WRITTEN PERMISSION OF THE CARY COMPANY HERE IS PROHIBITED.

NEXT ASSY	USED ON	
APPLICATION		

UNLESS OTHERWISE SPECIFIED:		
DIMENSIONS ARE IN INCHES TOLERANCES:		
ANGULAR:	±0°15'	
TWO PLACE DECIMAL	±.010	
THREE PLACE DECIMAL	±.005	
INTERPRET GEOMETRIC TOLERANCING PER:		
MATERIAL - FORMULATION - COLOR: LDPE		
REFER TO SPECIFICATION		
FINISH: REFER TO SPECIFICATION		

DRAWN		NAME	DATE
CHECKED		R M	6/19/06
ENG APPR.			
MFG APPR.			
Q.A.			
COMMENTS:			
24mm EASY OPEN CAP FINE RIBBED			
The CARY COMPANY Est. 1895			
SIZE	DWG. NO.	REV	
B	10-5412	-	
SCALE: - : -	WEIGHT: 4.68 grams	SHEET 1 OF 1	