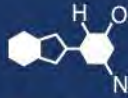


# IF YOU...



MIX IT. FILL IT. PACK IT. SHIP IT.

# WE HAVE A PRODUCT FOR YOU

Part #: 67WD20

---

---

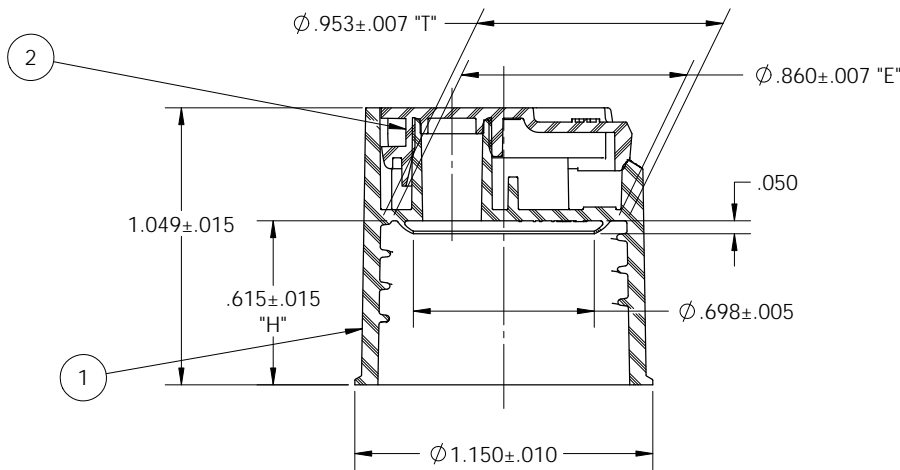
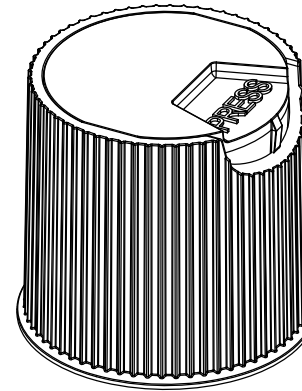
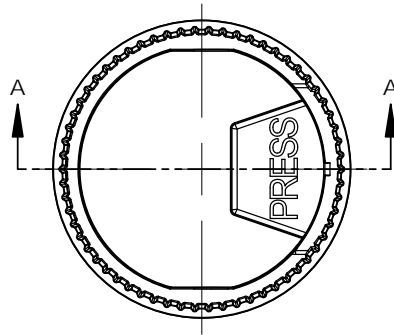
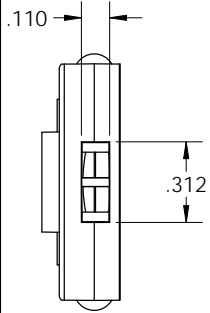


---

The  
**CARY**COMPANY  
Est. 1895

1195 W. Fullerton Ave. | Addison, IL 60101 | T: 630.629.6600 | F: 630.629.3690 |

# STANDARD PART DRAWING



SECTION A-A

ITEM NO.	PART NUMBER	DESCRIPTION	QTY.
1	5400	24mm EASY OPEN BAS CAP	1
2	7410	24mm EASY OPEN LID	1

THIS DRAWING IS PROVIDED FOR INFORMATIONAL PURPOSES ONLY. THE INFORMATION SHOWN MAY BE DIMENSIONALLY CONTROLLED OR FUNCTIONALLY CONTROLLED.

**PROPRIETARY AND CONFIDENTIAL**  
THE INFORMATION CONTAINED IN THIS DRAWING IS THE SOLE PROPERTY OF THE CARY COMPANY. ANY REPRODUCTION IN PART OR AS A WHOLE WITHOUT THE WRITTEN PERMISSION OF THE CARY COMPANY HERE IS PROHIBITED.

UNLESS OTHERWISE SPECIFIED:  
DIMENSIONS ARE IN INCHES  
TOLERANCES:

ANGULAR:  $\pm 0^{\circ}15'$   
TWO PLACE DECIMAL:  $\pm .010$   
THREE PLACE DECIMAL:  $\pm .005$

INTERPRET GEOMETRIC TOLERANCING PER:

MATERIAL - FORMULATION - COLOR:  
REFER TO SPECIFICATION

FINISH:  
REFER TO SPECIFICATION

NAME	DATE
DRAWN: lgf	1/11/10
CHECKED:	
ENG APPR.:	
MFG APPR.:	
Q.A.:	
COMMENTS:	
NEXT ASSY	USED ON
APPLICATION	

24mm EASY OPEN CAP FINE RIBBED

The **CARY COMPANY**  
Est. 1895

SIZE <b>B</b>	DWG. NO. <b>10-5410</b>	REV -
SCALE: - : -	WEIGHT: 4.65 grams	SHEET 1 OF 1