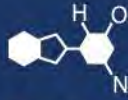


IF YOU...



MIX IT. FILL IT. PACK IT. SHIP IT.

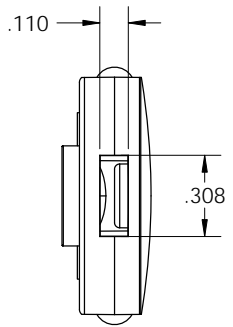
WE HAVE A PRODUCT FOR YOU

Part #: 67WD25

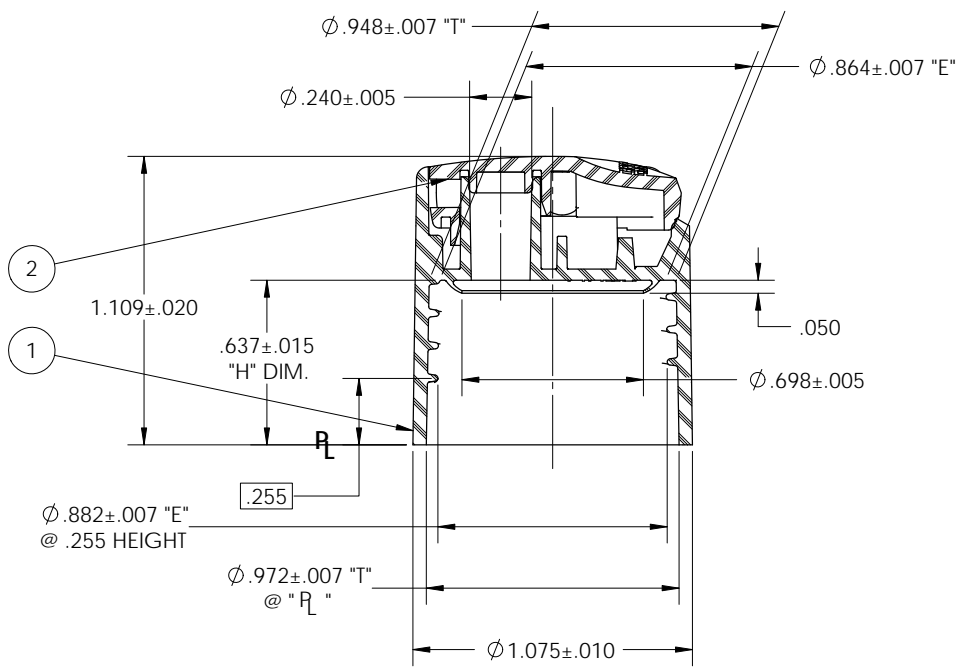
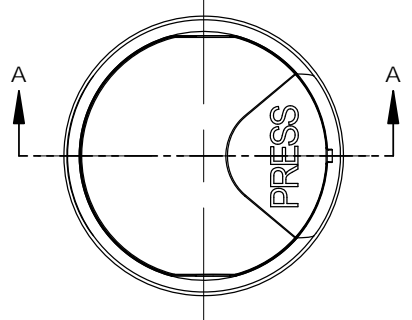


The
CARYCOMPANY
Est. 1895

1195 W. Fullerton Ave. | Addison, IL 60101 | T: 630.629.6600 | F: 630.629.3690 |



STANDARD PART DRAWING



SECTION A-A

ITEM NO.	PART NUMBER	DESCRIPTION	QTY.
1	5402_A	24mm EASY OPEN BASE CAP	1
2	7403_A	24mm EASY OPEN LID	1

THIS DRAWING IS PROVIDED FOR INFORMATIONAL PURPOSES ONLY. THE INFORMATION SHOWN MAY BE DIMENSIONALLY CONTROLLED OR FUNCTIONALLY CONTROLLED.

PROPRIETARY AND CONFIDENTIAL
THE INFORMATION CONTAINED IN THIS DRAWING IS THE SOLE PROPERTY OF THE CARY COMPANY. ANY REPRODUCTION IN PART OR AS A WHOLE WITHOUT THE WRITTEN PERMISSION OF THE CARY COMPANY HERE IS PROHIBITED.

UNLESS OTHERWISE SPECIFIED:	NAME	DATE
DIMENSIONS ARE IN INCHES	lgf	7/20/05
TOLERANCES:	CHECKED	
ANGULAR: $\pm 0^{\circ}15'$	ENG APPR.	
TWO PLACE DECIMAL $\pm .010$	MFG APPR.	
THREE PLACE DECIMAL $\pm .005$	C.A.	
INTERPRET GEOMETRIC TOLERANCING PER:	COMMENTS:	
MATERIAL - FORMULATION - COLOR: REFER TO SPECIFICATION		
FINISH: REFER TO SPECIFICATION		
NEXT ASSY	USED ON	
APPLICATION		

24mm EASY OPEN CAP SMOOTH WALL



SIZE B	DWG. NO. 10-5402	REV -
SCALE: 2 : -1	WEIGHT: 4.6 grams	SHEET 1 OF 1