

IF YOU...



MIX IT. FILL IT. PACK IT. SHIP IT.

WE HAVE A **PRODUCT** FOR YOU

Part #: 67WD42

Plastic Wide Mouth Jars

2 oz. White PP Plastic Wide Mouth Jar, Double Wall,
58mm 58-400, 21 Grams



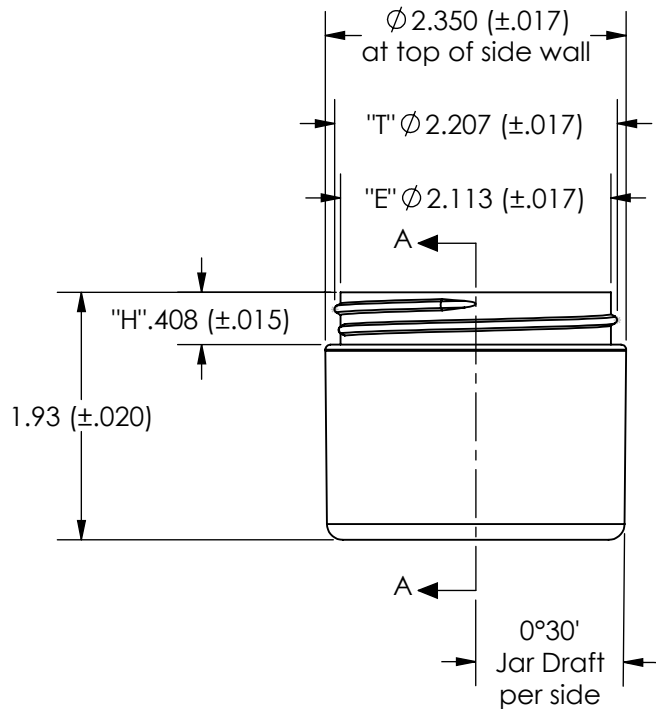
The
CARYCOMPANY
Est. 1895

1195 W. Fullerton Ave. | Addison, IL 60101 | T: 630.629.6800 | F: 630.629.3690 |

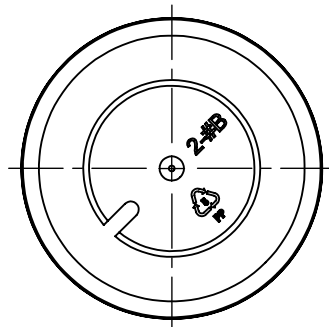
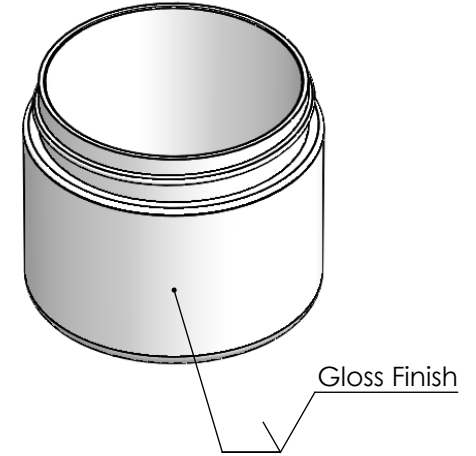
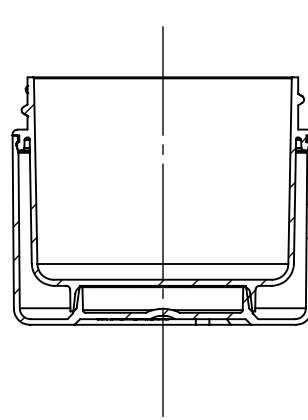
NOTE:

The CARY COMPANY

Est. 1895



SECTION A-A



DRAWING NAME: PART DWG - JDS0258PP - MDS016-001			
PART NAME: 2 oz 58 mm Double Wall Straight Jar		PART #: JDS0258PP : MDS016-001	REV: B
P: 630-629-6600 F: 630-629-3690		2 0 2 0	BY: DATE:
1195 W. Fullerton Ave. Addison, IL 60101		DRAWN	S.B. 2/25/2020
www.thecarycompany.com		CHECKED	S.B. 2/25/2020
		APPROVED	D.C. 2/25/2020
THREAD PITCH: 6 T.P.I.		# OF THREAD TURNS: 1-1/4 TURNS	TOLERANCES (UNLESS SPECIFIED) .00 = ±.015 .000 = ±.010
DRAFT ANGLE: 0°30' Degree		PROJECTED COSMETIC FILL: 58 (±3.5) mL 2.0 (±.12) OZ	ANGULAR TOLERANCE ± 1/2 DEGREE
GATE LOCATION: EXTERIOR - CENTER		PROJECTED OVERFLOW: 80 (±3.5) mL 2.7 (±.12) OZ	THIRD ANGLE PROJECTION
MATERIAL: POLYPROPYLENE		PART WEIGHT: 21 Grams (±5%)	SHEET SCALE: FULL SHEET SIZE: A