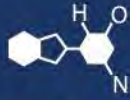


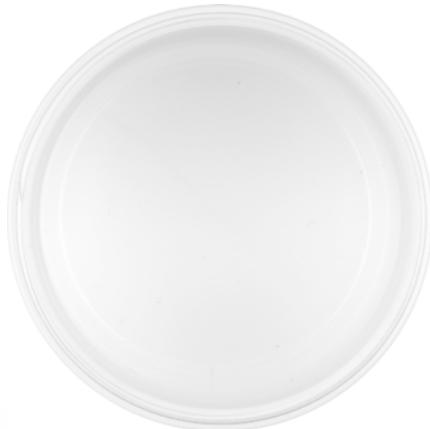
IF YOU...



MIX IT. FILL IT. PACK IT. SHIP IT.

WE HAVE A PRODUCT FOR YOU

Part #: 67WD45

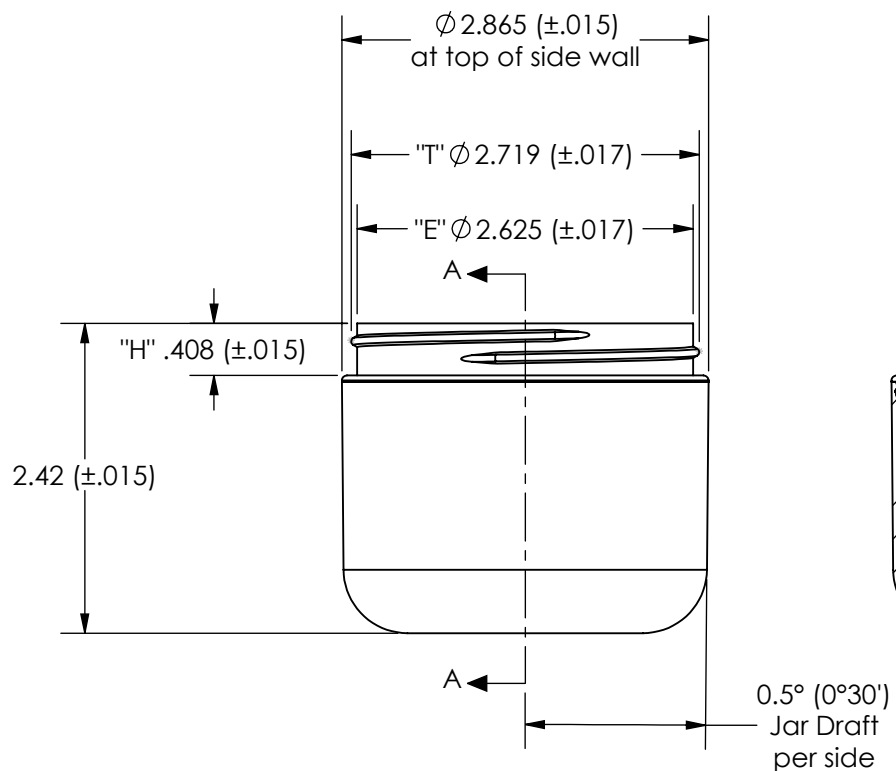


The
CARYCOMPANY
Est. 1895

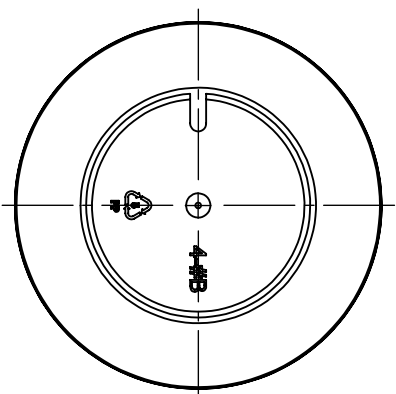
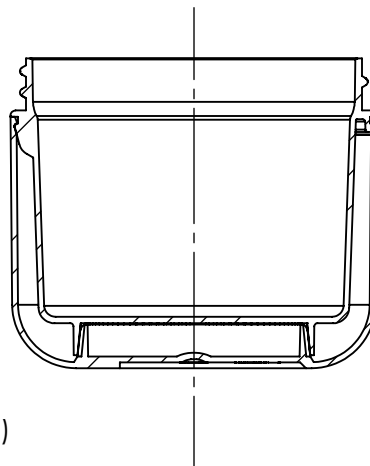
1195 W. Fullerton Ave. | Addison, IL 60101 | T: 630.629.6600 | F: 630.629.3690 |

NOTE:

The
CARY COMPANY
Est. 1895



SECTION A-A



DRAWING NAME: PART DWG - JDD0470PP - MDS012-004			
PART NAME: 4 oz 70 mm Double Wall Straight Jar		PART #: JDD0470PP : MDS012-004	REV: A
P: 630-629-6600 F: 630-629-3690 1195 W. Fullerton Ave. Addison, IL 60101 www.thecarycompany.com		2020	BY: DATE:
		DRAWN	S.B. 2/6/2020
		CHECKED	S.B. 2/6/2020
		APPROVED	J.R.B. 2/6/2020
THREAD PITCH:	6 T.P.I.	# OF THREAD TURNS:	1-1/8 TURNS
DRAFT ANGLE:	0.5° Degree	PROJECTED COSMETIC FILL:	110 (±5) mL 3.7(±.2) OZ
GATE LOCATION:	EXTERIOR - CENTER	PROJECTED OVERFLOW:	150 (±5) mL 5.0(±.2) OZ
MATERIAL:	POLYPROPYLENE	PART WEIGHT:	33 Grams (±5%)
		TOLERANCES (UNLESS SPECIFIED)	.00 = ±.015 .000 = ±.010
		ANGULAR TOLERANCE	± 1/2 DEGREE
		THIRD ANGLE PROJECTION	
		SHEET SCALE: FULL	SHEET SIZE: A