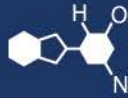


# IF YOU...



MIX IT. FILL IT. PACK IT. SHIP IT.

# WE HAVE A PRODUCT FOR YOU

Part #: 67WD46

---

---

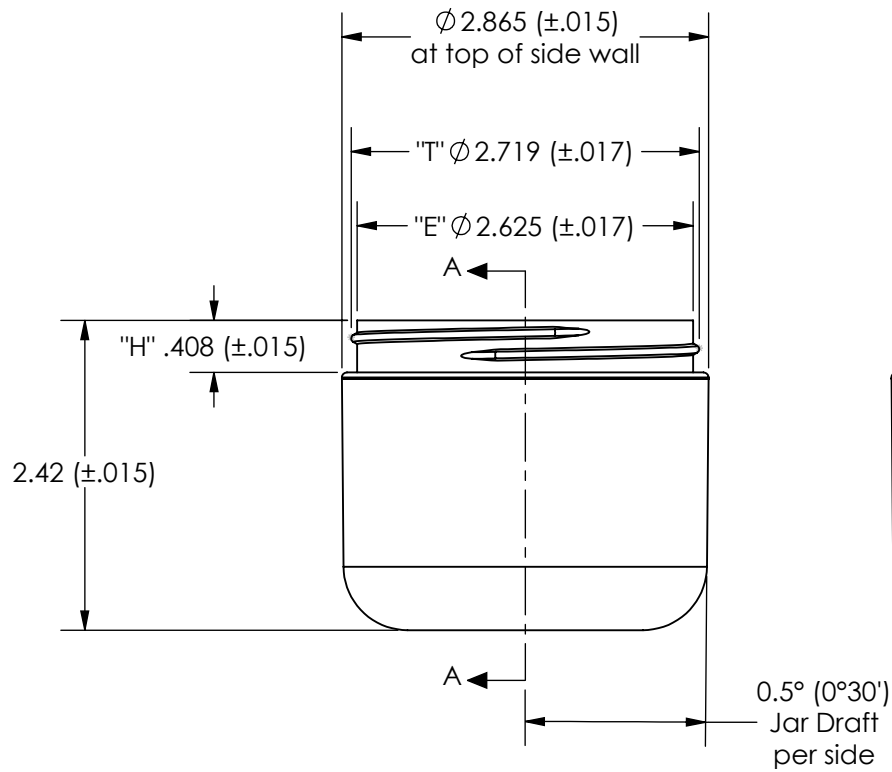


---

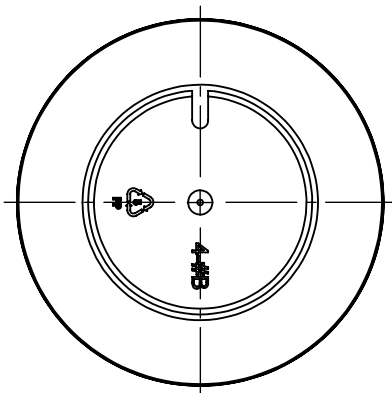
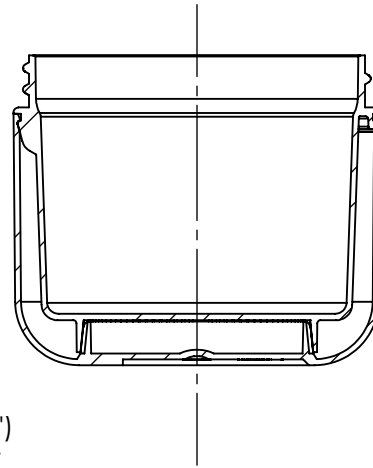
The  
**CARY**COMPANY  
Est. 1895

1195 W. Fullerton Ave. | Addison, IL 60101 | T: 630.629.6600 | F: 630.629.3690 |

NOTE:



SECTION A-A



DRAWING NAME:		PART DWG - JDD0470PP - MDS012-004		
PART NAME:		PART #:		REV:
4 oz 70 mm Double Wall Straight Jar		JDD0470PP : MDS012-004		A
P: 630-629-6600   F: 630-629-3690 1195 W. Fullerton Ave. Addison, IL 60101 www.thecarycompany.com		2020	BY:	DATE:
		DRAWN	S.B.	2/6/2020
		CHECKED	S.B.	2/6/2020
		APPROVED	J.R.B.	2/6/2020
THREAD PITCH:		# OF THREAD TURNS:		TOLERANCES (UNLESS SPECIFIED)
6 T.P.I.		1-1/8 TURNS		.00 = ±.015 .000 = ±.010
DRAFT ANGLE:		PROJECTED COSMETIC FILL:		ANGULAR TOLERANCE
0.5° Degree		110 (±5) mL 3.7 (±.2) OZ		± 1/2 DEGREE
GATE LOCATION:		PROJECTED OVERFLOW:		THIRD ANGLE PROJECTION
EXTERIOR - CENTER		150 (±5) mL 5.0 (±.2) OZ		
MATERIAL:		PART WEIGHT:		SHEET SCALE:
POLYPROPYLENE		33 Grams (±5%)		FULL
				SHEET SIZE: A