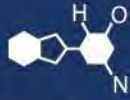


IF YOU...



MIX IT. FILL IT. PACK IT. SHIP IT.

WE HAVE A PRODUCT FOR YOU

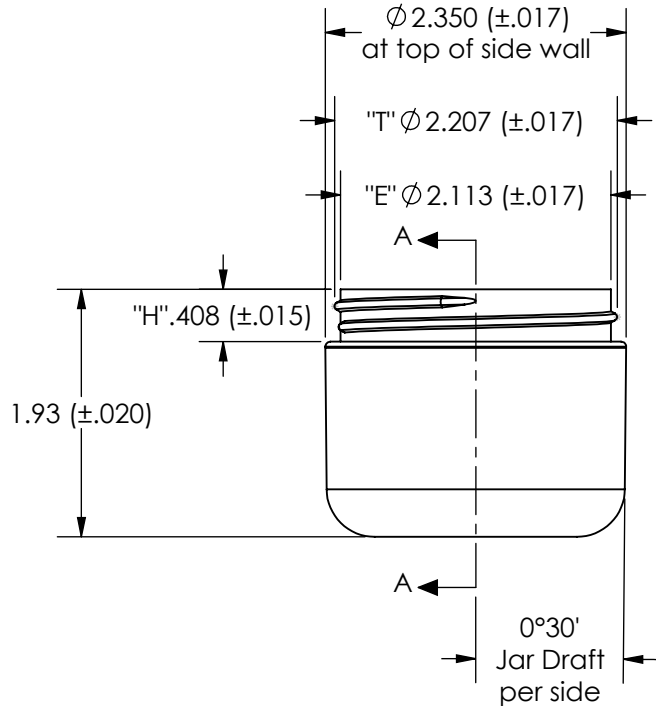
Part #: 67WD50



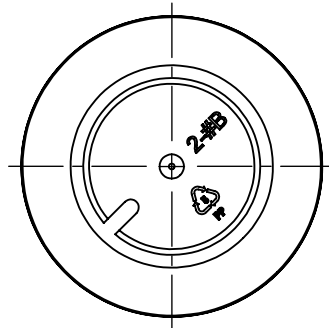
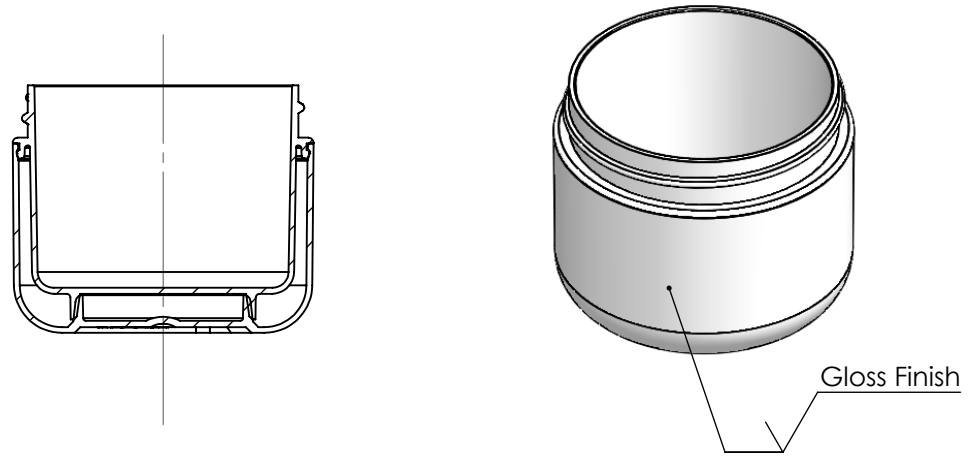
The
CARYCOMPANY
Est. 1895

1195 W. Fullerton Ave. | Addison, IL 60101 | T: 630.629.6600 | F: 630.629.3690 |

NOTE:



SECTION A-A



The
CARY COMPANY
 Est. 1895

DRAWING NAME: PART DWG - JDD0258PP - MDS016-002			
PART NAME: 2 oz 58 mm Double Wall Dome Jar		PART #: JDD0258PP : MDS016-002	
		REV: B	
P: 630-629-6600 F: 630-629-3690 1195 W. Fullerton Ave. Addison, IL 60101 www.thecarycompany.com		2 0 2 0	BY: DATE:
		DRAWN	S.B. 2/25/2020
		CHECKED	S.B. 2/25/2020
		APPROVED	D.C. 2/25/2020
THREAD PITCH: 6 T.P.I.		# OF THREAD TURNS: 1-1/4 TURNS	
DRAFT ANGLE: 0°30' Degree		PROJECTED COSMETIC FILL: 58 (±3.5) mL 2.0(±.12) OZ	
GATE LOCATION: EXTERIOR - CENTER		PROJECTED OVERFLOW: 80 (±3.5) mL 2.7(±.12) OZ	
MATERIAL: POLYPROPYLENE		PART WEIGHT: 21 Grams (±5%)	
TOLERANCES (UNLESS SPECIFIED)		DIMENSIONS ARE IN INCHES .00 = ± .015 .000 = ± .010	
ANGULAR TOLERANCE		± 1/2 DEGREE	
THIRD ANGLE PROJECTION			
SHEET SCALE: FULL		SHEET SIZE: A	