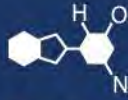


IF YOU...



MIX IT. FILL IT. PACK IT. SHIP IT.

WE HAVE A PRODUCT FOR YOU

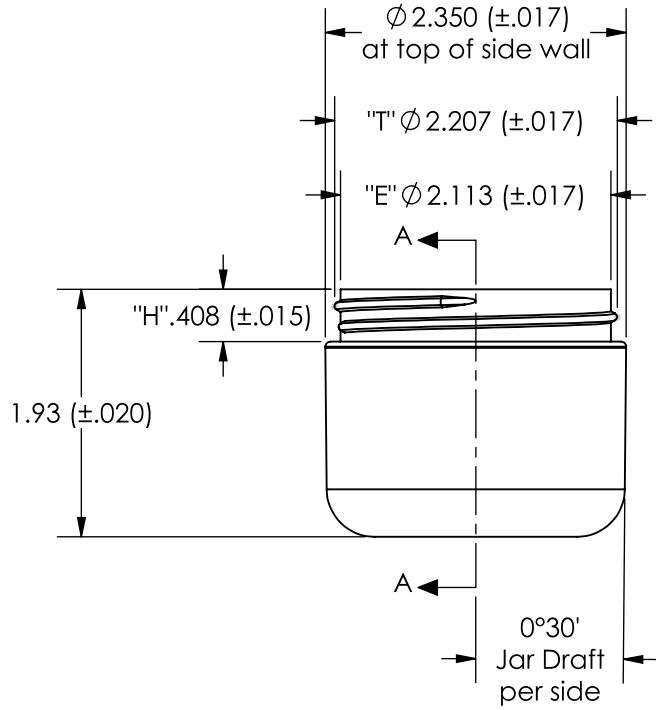
Part #: 67WD51



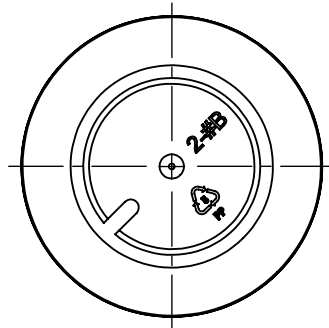
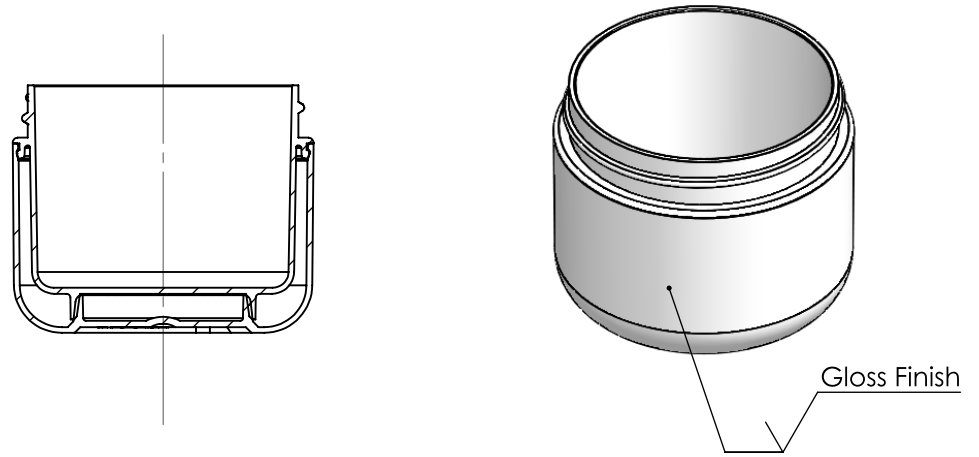
The
CARYCOMPANY
Est. 1895

1195 W. Fullerton Ave. | Addison, IL 60101 | T: 630.629.6600 | F: 630.629.3690 |

NOTE:



SECTION A-A



DRAWING NAME:		PART DWG - JDD0258PP - MDS016-002	
PART NAME:		PART #:	REV:
2 oz 58 mm Double Wall Dome Jar		JDD0258PP : MDS016-002	B
		2 0 2 0	BY: DATE:
		DRAWN	S.B. 2/25/2020
		CHECKED	S.B. 2/25/2020
		APPROVED	D.C. 2/25/2020
THREAD PITCH:	# OF THREAD TURNS:	TOLERANCES (UNLESS SPECIFIED)	
6 T.P.I.	1-1/4 TURNS	.00 = ±.015 .000 = ±.010	
DRAFT ANGLE:	PROJECTED COSMETIC FILL:	ANGULAR TOLERANCE	± 1/2 DEGREE
0°30' Degree	58 (±3.5) mL 2.0(±.12) OZ	THIRD ANGLE PROJECTION	
GATE LOCATION:	PROJECTED OVERFLOW:	MATERIAL:	
EXTERIOR - CENTER	80 (±3.5) mL 2.7(±.12) OZ	POLYPROPYLENE	
PART WEIGHT:		SHEET SCALE:	SHEET SIZE:
21 Grams (±5%)		FULL	A