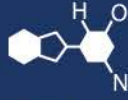


# IF YOU...



MIX IT. FILL IT. PACK IT. SHIP IT.

# WE HAVE A PRODUCT FOR YOU

Part #: 67WD55

---

---

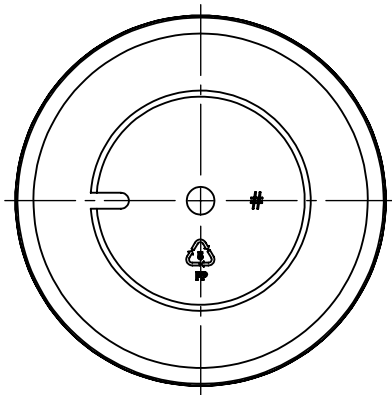
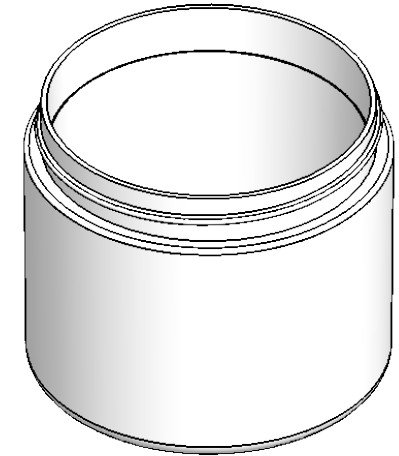
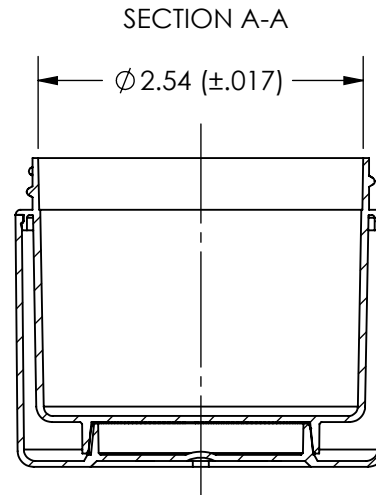
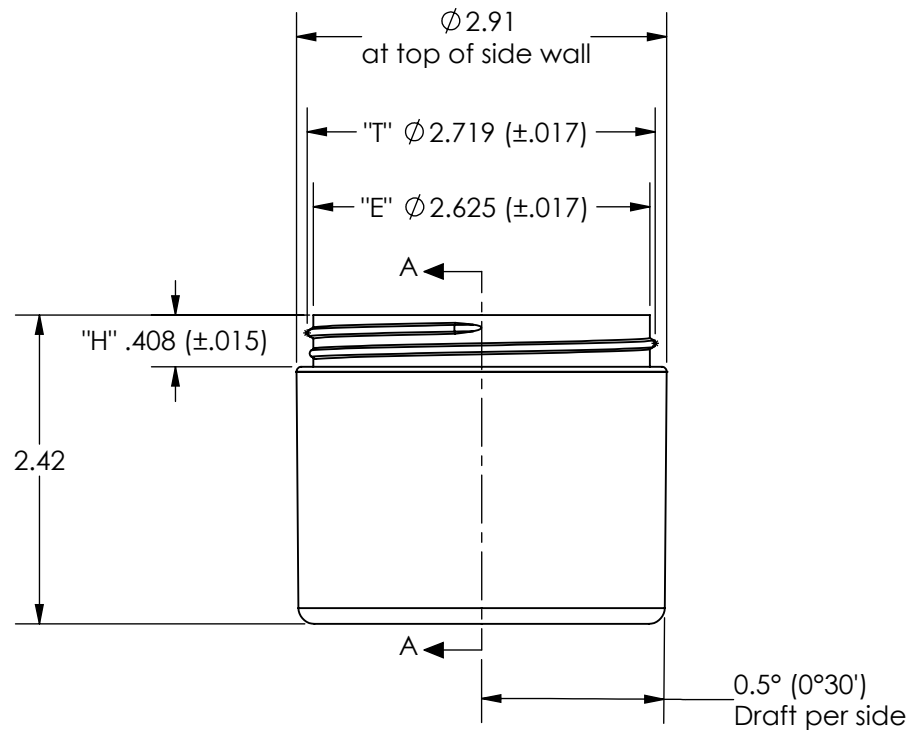


---

The  
**CARY**COMPANY  
Est. 1895

1195 W. Fullerton Ave. | Addison, IL 60101 | T: 630.629.6600 | F: 630.629.3690 |

NOTE:



The  
**CARY COMPANY**  
 Est. 1895

DRAWING NAME: PART DWG - JDS0470PP - MDH012-040			
PART NAME: 4 oz 70 mm Double Wall Straight Jar		PART #: JDS0470PP : MDH012-040	REV: D
P: 630-629-6600   F: 630-629-3690 1195 W. Fullerton Ave. Addison, IL 60101 www.thecarycompany.com		2 0 1 6	BY: DATE: S.B. 5/19/2016
		CHECKED	S.B. 5/19/2016
		APPROVED	S.B. 5/19/2016
THREAD PITCH: 6 T.P.I.	# OF THREAD TURNS: 1-1/4 TURNS	TOLERANCES (UNLESS SPECIFIED) .00 = ±.015 .000 = ±.010	
DRAFT ANGLE: 0.5° (0°30') Degree	PROJECTED COSMETIC FILL: 110 (±5) mL 3.7 (±.2) OZ	ANGULAR TOLERANCE ± 1/2 DEGREE	
GATE LOCATION: EXTERIOR - CENTER	PROJECTED OVERFLOW: 150 (±5) mL 5.0 (±.2) OZ	THIRD ANGLE PROJECTION	
MATERIAL: POLYPROPYLENE	PART WEIGHT: 34 Grams (±5%)	SHEET SCALE: FULL	SHEET SIZE: A