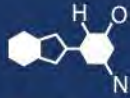


IF YOU...



MIX IT. FILL IT. PACK IT. SHIP IT.

WE HAVE A **PRODUCT** FOR YOU

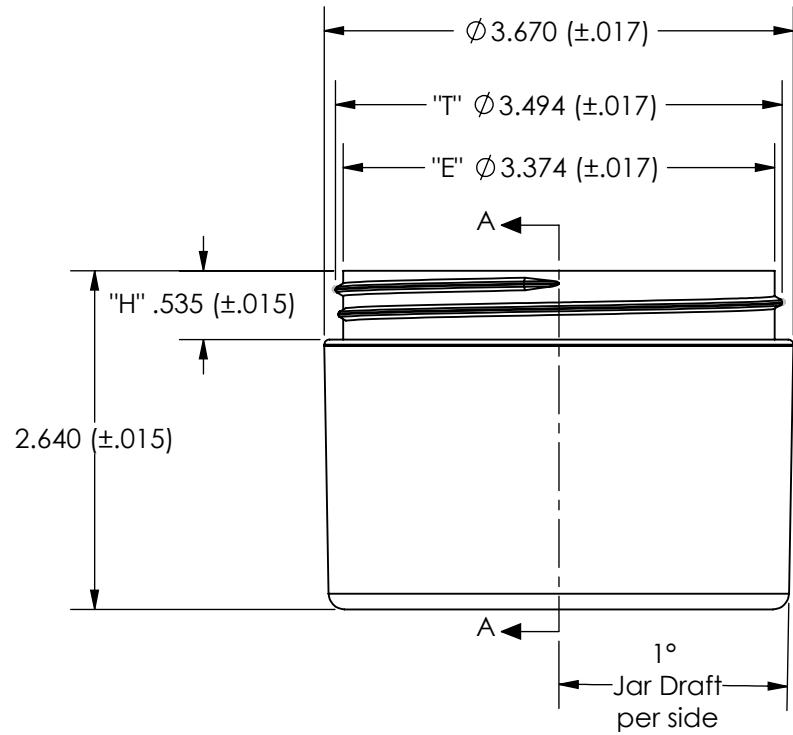
Part #: 67WD57



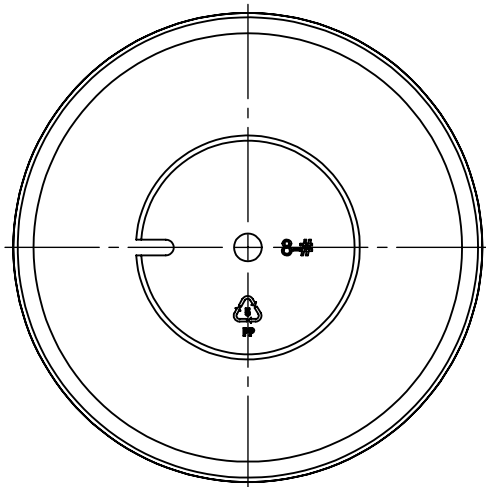
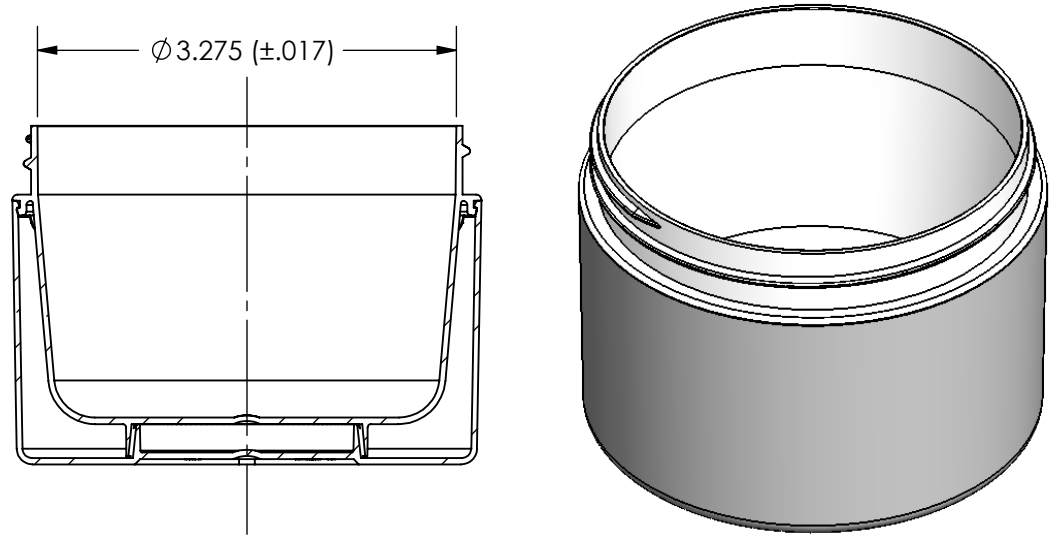
The
CARYCOMPANY
Est. 1895

1195 W. Fullerton Ave. | Addison, IL 60101 | T: 630.629.6600 | F: 630.629.3690 |

NOTE:



SECTION A-A



The
CARY COMPANY
Est. 1895

DRAWING NAME:		PART DWG - JDS0889PP - MDS008-053	
PART NAME:	8 oz 89 mm Double Wall Straight Jar	PART #:	JDS0889PP : MDS008-053
		REV:	A
<p>P: 630-629-6600 F: 630-629-3690 1195 W. Fullerton Ave. Addison, IL 60101 www.thecarycompany.com</p>		2 0 1 7	BY: DATE:
		DRAWN	S.B. 10/12/2017
		CHECKED	S.B. 10/12/2017
		APPROVED	D.C. 10/12/2017
THREAD PITCH:	5 T.P.I.	# OF THREAD TURNS:	1-1/4 TURNS
DRAFT ANGLE:	1° Degree	PROJECTED COSMETIC FILL:	215 (±) 7 ML 7.3 (±) .3 OZ
GATE LOCATION:	EXTERIOR CENTER	PROJECTED OVERFLOW:	288 (±) 7 ML 9.7 (±) .3 OZ
MATERIAL:	POLYPROPYLENE	PART WEIGHT:	48 Grams (±5%)
		TOLERANCES (UNLESS SPECIFIED)	DIMENSIONS ARE IN INCHES .00 = ±.015 .000 = ±.010
		ANGULAR TOLERANCE	± 1/2 DEGREE
		THIRD ANGLE PROJECTION	
		SHEET SCALE:	FULL
		SHEET SIZE:	A