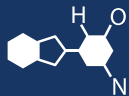


IF YOU...



MIX IT. FILL IT. PACK IT. SHIP IT.

WE HAVE A **PRODUCT** FOR YOU

Part #: 67WDB8

Plastic Dome Caps

89mm 89-400 Black Plastic Dome Cap,
Pressure Sensitive Liner

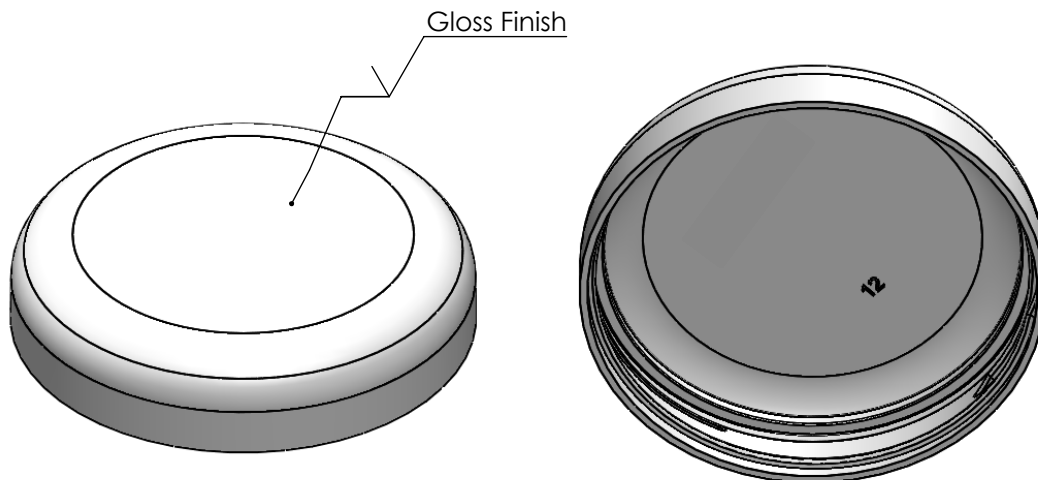
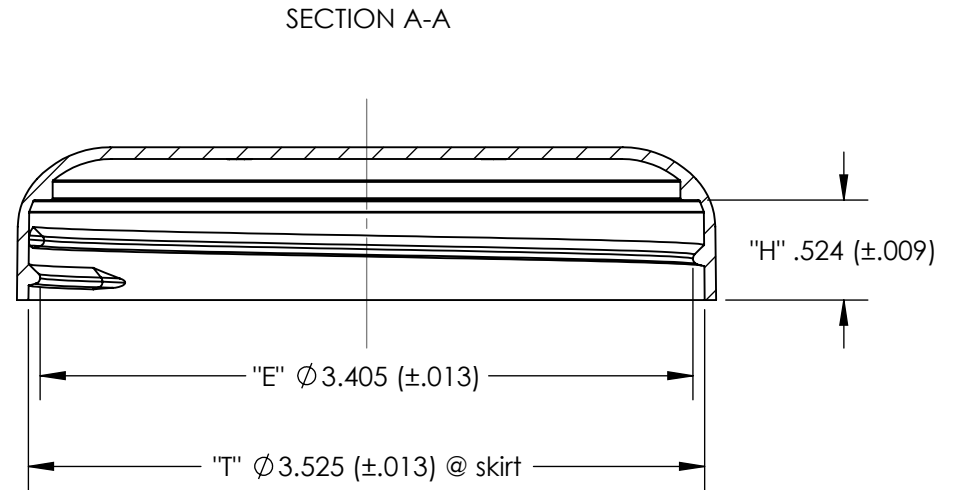
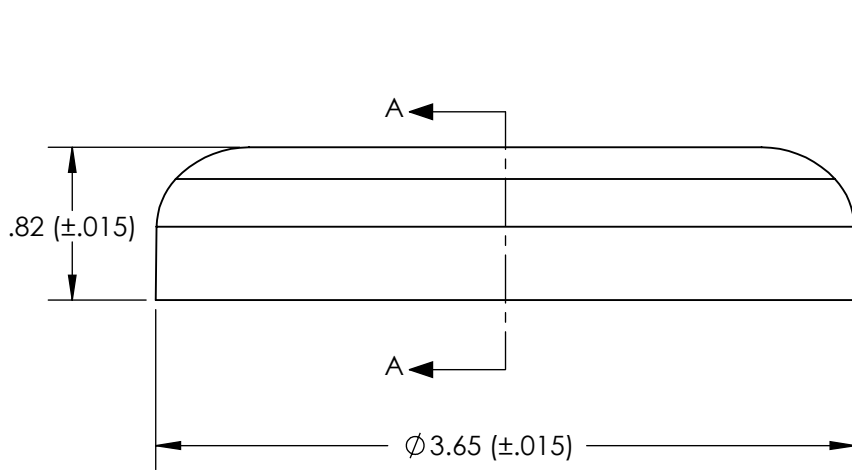



The
CARYCOMPANY
Est. 1895

1195 W. Fullerton Ave. | Addison, IL 60101 | T: 630.629.6600 | F: 630.629.3690 |

NOTE: 1.) Contact the Cary Company to confirm most recent dimensions prior to manufacturing of componentry.
 2.) Specifications shown are reserved for white polypropylene closures.
 3.) This closure has a liner retainer feature.

PROPRIETARY AND CONFIDENTIAL:
 THE INFORMATION CONTAINED IN THIS DRAWING IS THE SOLE PROPERTY OF THE CARY CO.
 ANY REPRODUCTION IN PART OR AS A WHOLE WITHOUT THE WRITTEN PERMISSION OF THE CARY COMPANY IS PROHIBITED.



DRAWING NAME: PART DWG - 67WDB8		PART #:		REV: C
PART NAME: 89mm Domed Closure		BY: C.C.		DATE: 2/13/2019
 Est. 1895		2019	CHECKED: S.B.	5/29/2019
www.thecarycompany.com		APPROVED: S Jenn	5/29/2019	
TOLERANCES (UNLESS SPECIFIED)		DIMENSIONS ARE IN INCHES		
.00 = ±.015		.000 = ±.010		
THREAD PITCH: 5 T.P.I.	# OF THREAD TURNS: 1-1/4 TURNS	ANGULAR TOLERANCE: ± 1/2 DEGREE		
GATE LOCATION: INTERIOR - CENTER	PART WEIGHT: 16.1 Grams (±5%)	THIRD ANGLE PROJECTION 		
MATERIAL: POLYPROPYLENE	SHEET SCALE: FULL	SHEET SIZE: A		