

IF YOU...



MIX IT. FILL IT. PACK IT. SHIP IT.

WE HAVE A **PRODUCT** FOR YOU



Part #	67WF29
Neck Width	28mm
Neck Finish	28-410
Color	White
Material	PP

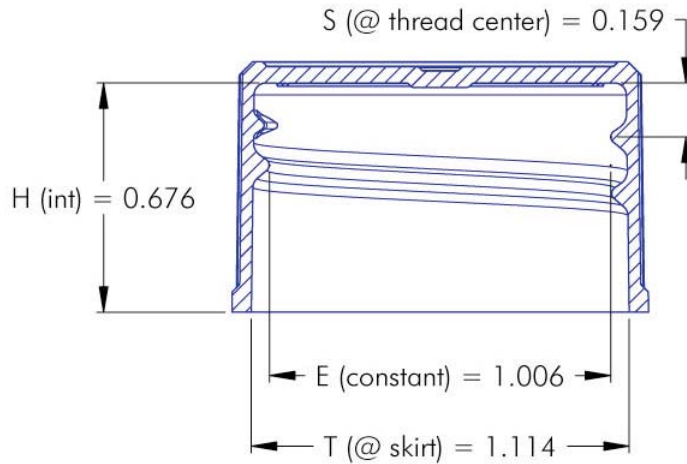
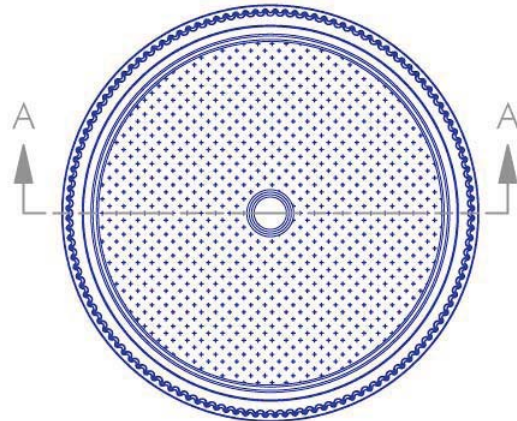
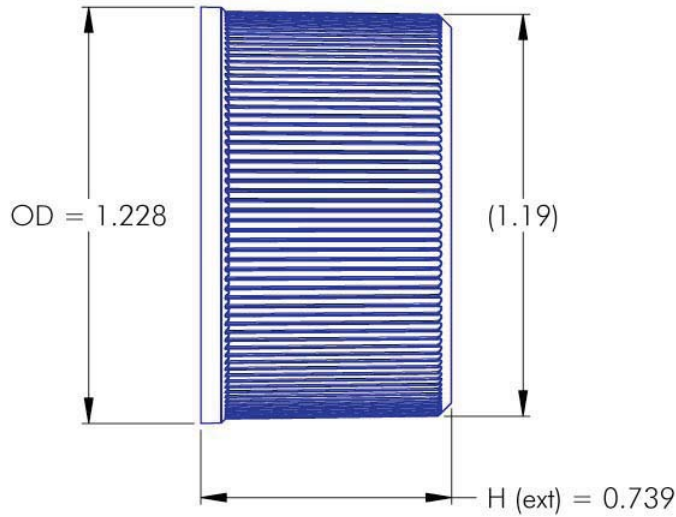




Supplied By: **The Cary Company**

Ph: 630-629-6600

www.thecarycompany.com

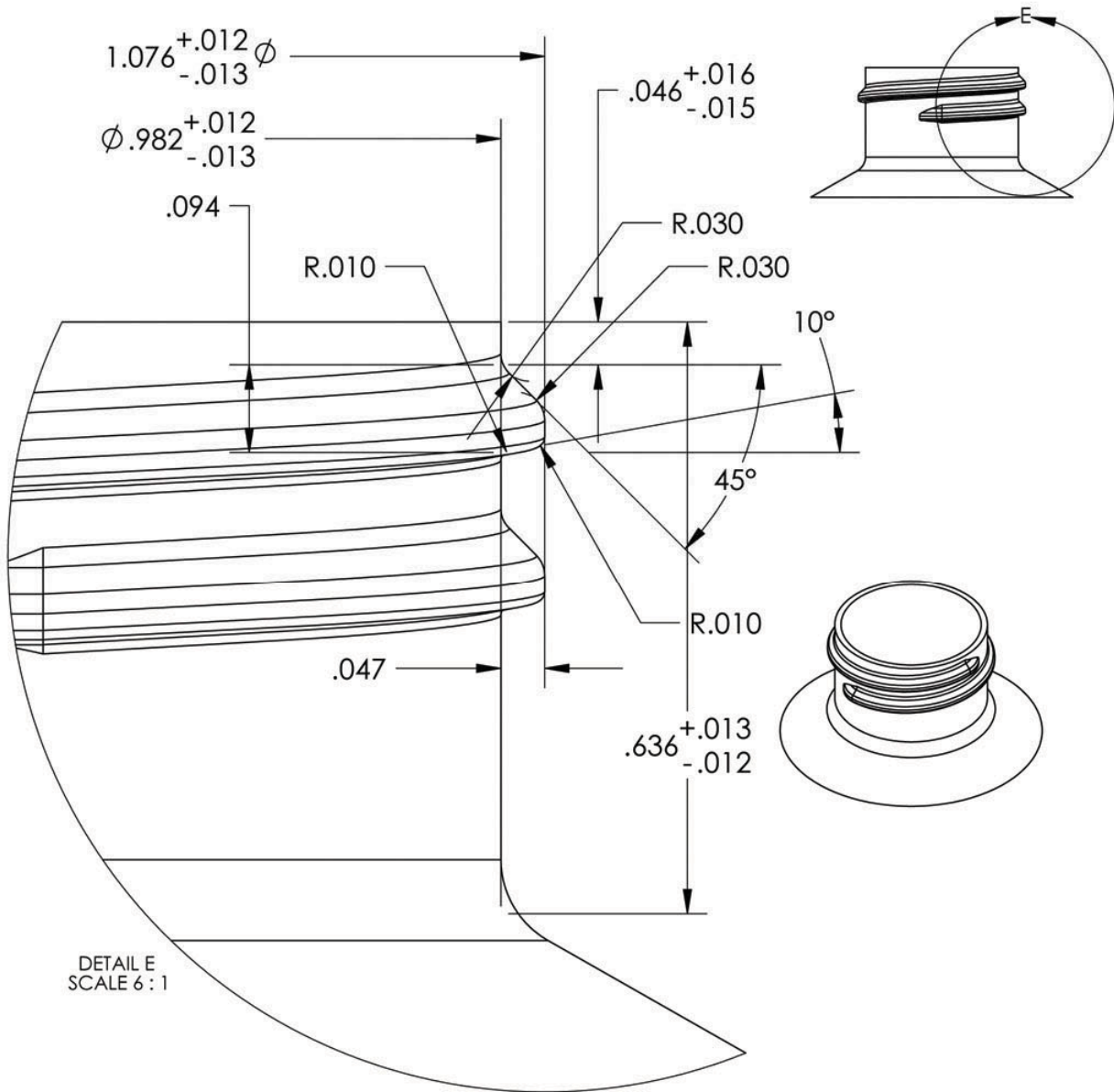


NOTES: (UNLESS OTHERWISE SPECIFIED)
 1. ALL DIMENSIONS ARE IN INCHES.
 2. TOLERANCE ON ALL DIMENSIONS IS ± 0.010 ".

#	00.00.00	-	--	PITCH (TPI): 6	# OF TURNS: 1-1/8	MATERIAL: POLYPROPYLENE
REV	DATE	DESCRIPTION	BY	DRAWING #: 28 - 410 - 62S		SCALE: 2 : 1
<p>PH 630-629-6600 - FX 630-629-3690 1195 W. FULLERTON AVE. - ADDISON, IL 60101 WWW.THECARYCOMPANY.COM</p>				DESCRIPTION: FINE RIB / MATTE FINISH TOP		
				DRAWN BY: BEZ	DATE: 07.12.04	APPROVED BY: LRE REV: 2



Supplied By: **The Cary Company**
 Ph: 630-629-6600
 www.thecarycompany.com



NOTES: (UNLESS OTHERWISE SPECIFIED)
 1. ALL DIMENSIONS ARE IN INCHES
 2. TOLERANCE ON ALL DIMENSIONS IS +/- .010 INCHES

PITCH: (TPI)	6	# OF TURNS/THRD	1 1/4	MATERIAL:
DRAWING #	28-410 FINISH			
DESCRIPTION:	28-410-FINISH FOR PCI CLOSURES			
FILE:	28-410- FINISH.SLDDRW	SCALE:	1:1	
DRAWN BY:	BEZ	DATE:	10-19-04	APPRVD BY: REV.#:



PH 630-629-6600 - FX 630-629-3690
 1195 W. FULLERTON AVE. - ADDISON, IL 60101
 WWW.THECARYCOMPANY.COM