

IF YOU...

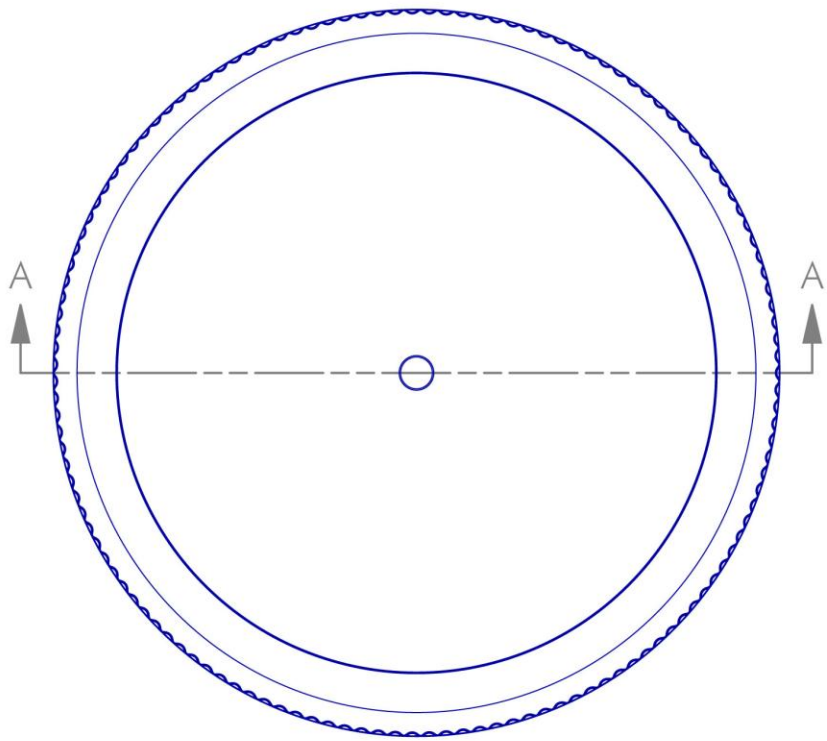
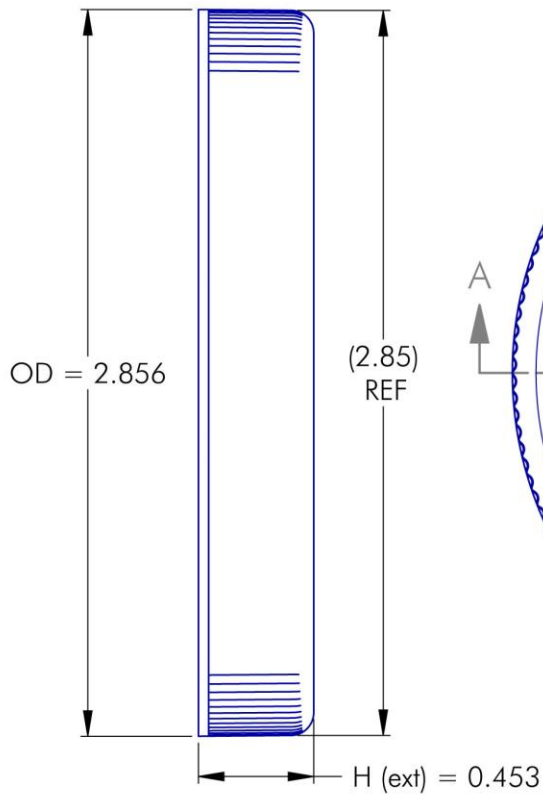


MIX IT. FILL IT. PACK IT. SHIP IT.

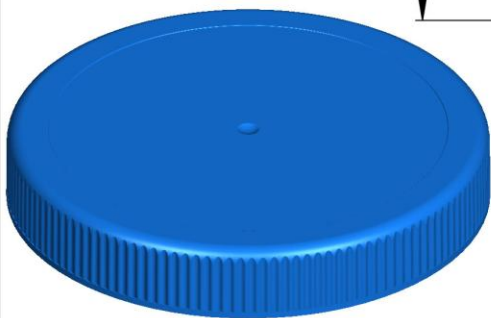
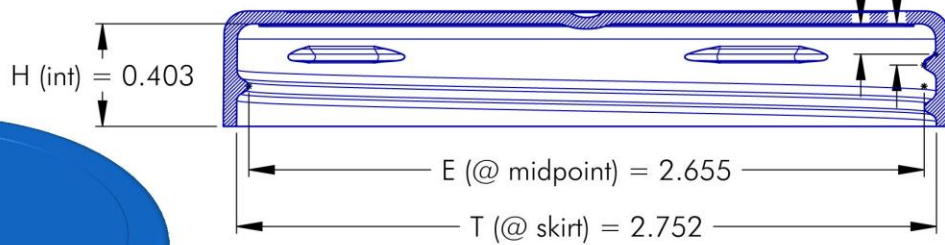
WE HAVE A PRODUCT FOR YOU



Part #	67WF70
Neck Width	70mm
Neck Finish	70-400
Liner Compatability	PE (HDPE, LDPE)
Color	White
Material	PP
Case Pack	1,150 ea.
Pallet Pack	17,250 ea. (15 Cases)
Case Weight	24.132 lbs.
Case Dimensions	24" x 16" x 15"
Pallet Dimensions	48" x 40" x 50"
FDA Approved	Yes



S (@ center) = 0.162
 S (@ top) = 0.119

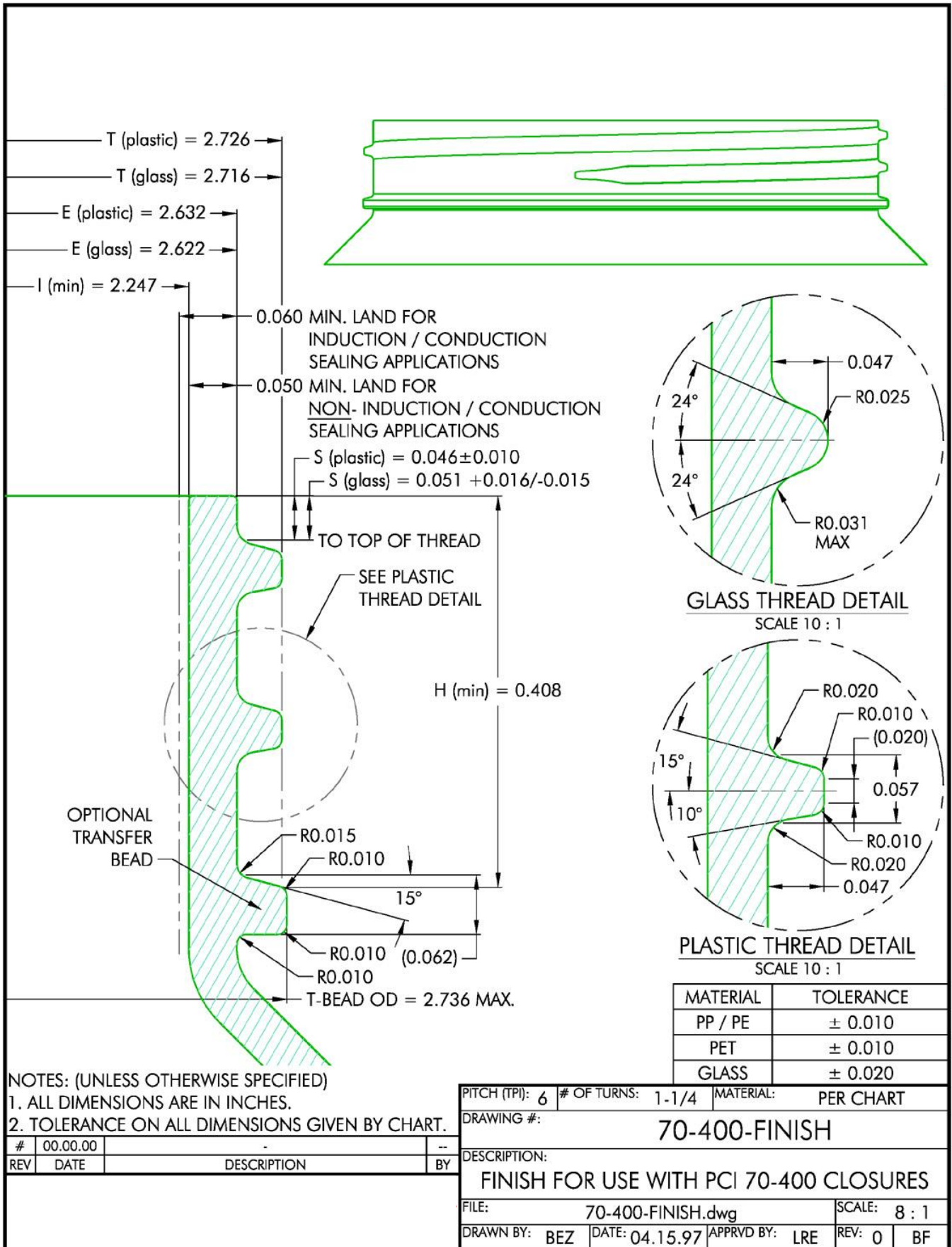


NOTES: (UNLESS OTHERWISE SPECIFIED)
 1. ALL DIMENSIONS ARE IN INCHES.
 2. TOLERANCE ON ALL DIMENSIONS IS ± 0.010 ".

#	00.00.00	-	--	PITCH (TPI): 6	# OF TURNS: 1-1/8	MATERIAL: POLYPROPYLENE
REV	DATE	DESCRIPTION	BY	DRAWING #: 70 - 400 - 9613 (S)		SCALE: 1-1/2 : 1
				DESCRIPTION: 70-400-6213 / MEDIUM RIB / '470-TYPE'		
DRAWN BY: DMN		DATE: 09.21.10	APPROVED BY: LRE	REV: 0		



Supplied By: **The Cary Company**
 Ph: 630-629-6600
 www.thecarycompany.com



Supplied By: **The Cary Company**

Ph: 630-629-6600

www.thecarycompany.com

