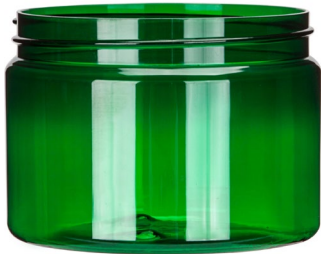


IF YOU...



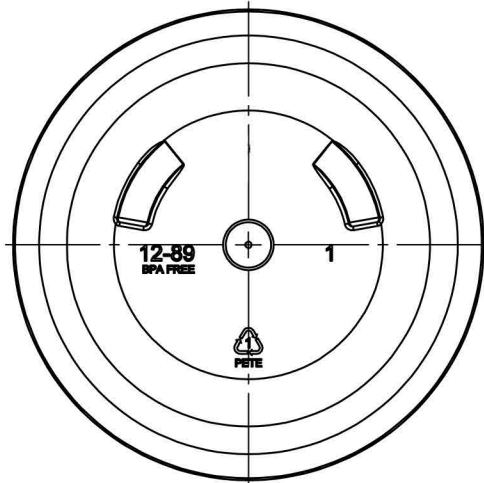
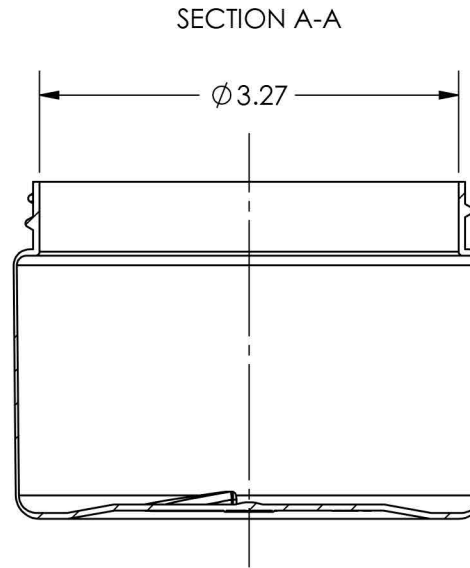
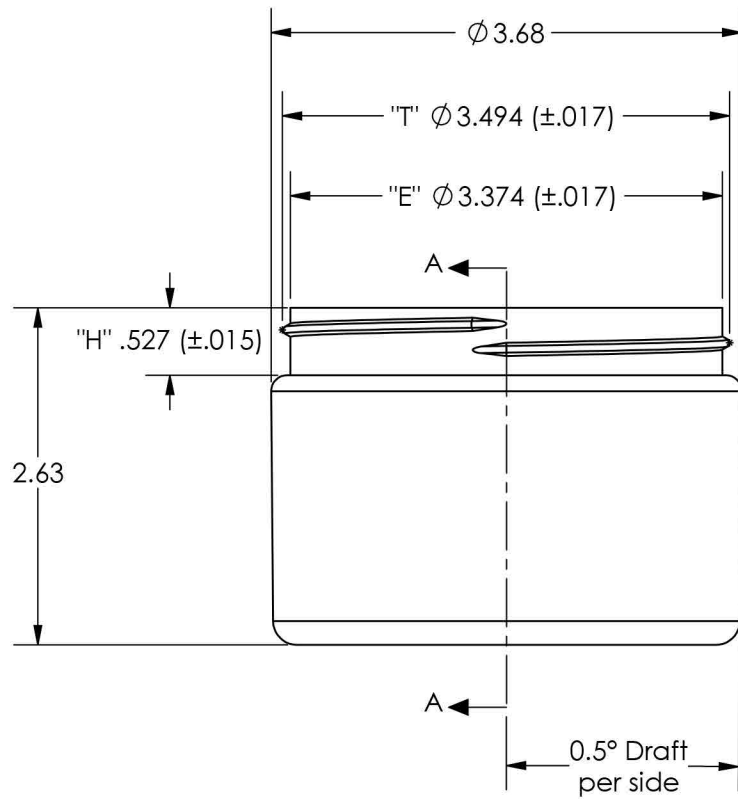
MIX IT. FILL IT. PACK IT. SHIP IT.

WE HAVE A PRODUCT FOR YOU



Part #	67WG12
Capacity	12 oz.
Color	Green
Material	PET
Dimensions	3.5"Dia. x 2.63"H
Neck Finish	89-400
Neck Width	89mm
BPA Free	Yes
FDA Approved	Yes
Case Pack	96 ea.
Pallet Pack	2,880 ea. (30 Cases)

NOTE:



DRAWING NAME: PRELIMINARY PART DWG - JBS1289PT - MBH006-001				REV: PRELIM-B
PART NAME: 12 oz 89 mm Jar		PART #: JBS1289PT:MBH006-001		DATE: 6/11/2014
The CARY COMPANY Est. 1895		2014	BY: S.B.	DATE: 6/11/2014
		CHECKED	S.B.	4/5/2016
		APPROVED	J.R.B.	4/5/2016
THREAD PITCH: 5 T.P.I.		# OF THREAD TURNS: 1 FULL TURNS		TOLERANCES (UNLESS SPECIFIED) .00 = ±.015 .000 = ±.010
DRAFT ANGLE: 0.5° Degree		PROJECTED COSMETIC FILL: 338 (±11) mL 11.4 (±.4) OZ		ANGULAR TOLERANCE ± 1/2 DEGREE
GATE LOCATION: EXTERIOR - CENTER		PROJECTED OVERFLOW: 410 (±11) mL 13.9 (±.4) OZ		THIRD ANGLE PROJECTION
MATERIAL: PETE		PART WEIGHT: 33.3 Grams (±5%)		SHEET SCALE: FULL SHEET SIZE: A