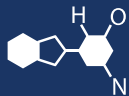


# IF YOU...



MIX IT. FILL IT. PACK IT. SHIP IT.

# WE HAVE A **PRODUCT** FOR YOU

Part #: 67WN8L

Continuous Thread Caps

---

89mm 89-400 Natural Smooth Plastic  
Cap w/Foam Liner (3-ply)

---

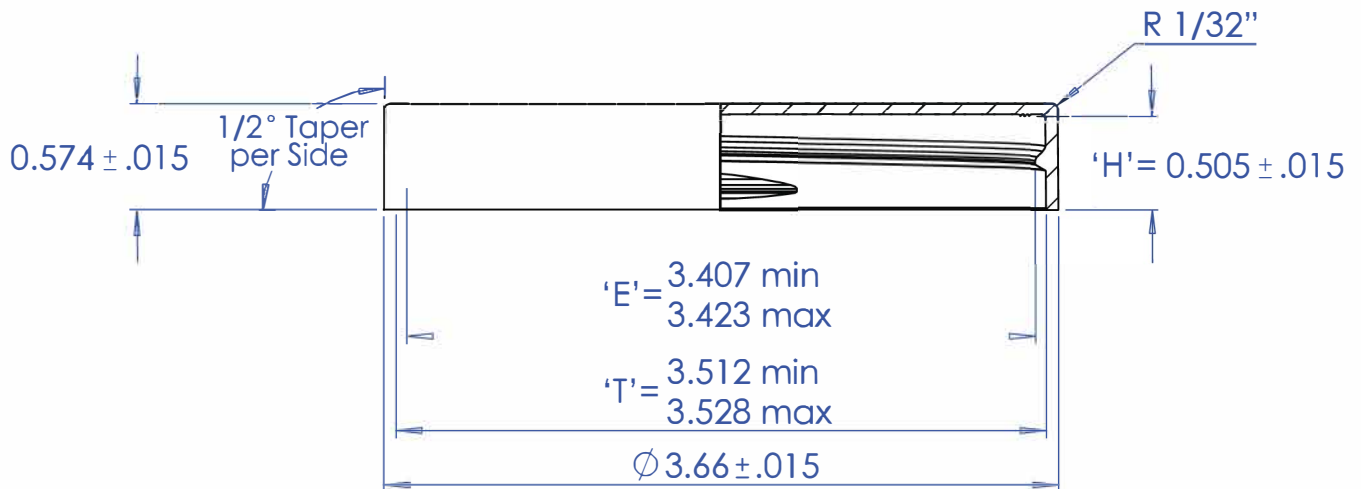
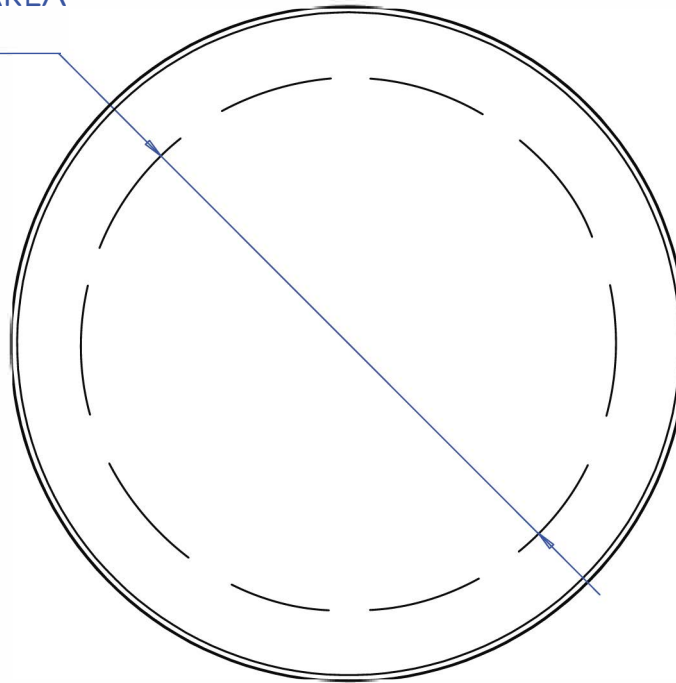


---

The  
**CARY**COMPANY  
Est. 1895

1195 W. Fullerton Ave. | Addison, IL 60101 | T: 630.629.6600 | F: 630.629.3690 |

DECORATION AREA  
Ø 3.30



REVISIONS				UNLESS OTHERWISE NOTED DIMENSIONS ARE IN INCHES TOLERANCE ARE:		MATERIAL: POLYPROPYLENE		PART DESCRIPTION:		
REV.	DATE	DESCRIPTION	BY	DIM.	TOL.	APPROX WEIGHT:	OVERFLOW CAPACITY:	89mm-400 CLOSURE		
				.00	.015	15.3 GRAMS +/- 3%	N/A	SMOOTH SIDE & TOP		
				.000	.010	THREAD PITCH: .200 PITCH (5 TPI)	No. OF THREAD TURNS: 1-1/10	(INSIDE-GATED)		
COMMENTS: MADE IN U.S.A.						DRAWN BY: D. TAUNK	DATE: 10/1/2014	PART CODE:	89SS-PP-UC	REV. SIZE
								SCALE: 1:1	DO NOT SCALE DRAWING	- A
								SHEET 1 OF 1		