

IF YOU...



MIX IT. FILL IT. PACK IT. SHIP IT.

WE HAVE A PRODUCT FOR YOU

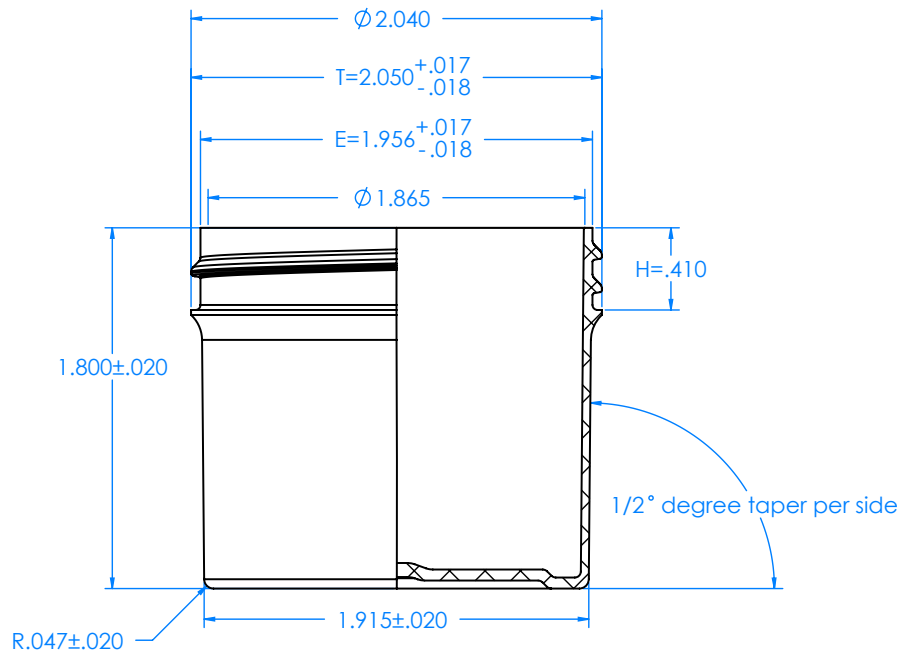
Part #: 67WP02



The
CARYCOMPANY
Est. 1895

1195 W. Fullerton Ave. | Addison, IL 60101 | T: 630.629.6600 | F: 630.629.3690 |

THE INFORMATION CONTAINED IN THIS DRAWING IS THE SOLE PROPERTY OF THE CARY COMPANY. ANY UNAUTHORIZED USE, TRANSMISSION, OR REPRODUCTION IN PART OR AS A WHOLE WITHOUT THE WRITTEN PERMISSION IS STRICTLY PROHIBITED.



DECORATION AREA

WRAP: 5.88 inches

HEIGHT: 1.00 inches

DRAFT: $1/2^\circ$ per side

REVISIONS				UNLESS OTHERWISE NOTED DIMENSIONS ARE IN INCHES TOLERANCES ARE:		MATERIAL:	POLYPROPYLENE	PART DESCRIPTION:							
REV.	DATE	DESCRIPTION	BY	DIM.	TOL.	APPROX WEIGHT:	9 grams	2 Oz 53mm 53-400 Clear PS Regular Wall Straight Sided Jar							
		NEW		.00	.030	APPROX OVERFLOW:	75 ml								
				.000	.020	THREAD:	"M" STYLE, 6 TPI PITCH								
COMMENTS: MADE IN U.S.A.								DRAWN BY: J.T.	APPROVED BY: C.M.	DATE: 02/17/2020	SCALE: 1:1	DO NOT SCALE DRAWING	PART CODE: 67W02W	REV. A	SIZE A