

# IF YOU...



MIX IT. FILL IT. PACK IT. SHIP IT.

# WE HAVE A PRODUCT FOR YOU



Part #	67WR43
Neck Width	43mm
Neck Finish	43-485
Cap Liner	Unlined - No Liner
Cap Dispensing	.225" (3 holes) Sift/Pour (Spoon Dispenser)
Color	Red
Material	PP
Case Pack	1,300 ea.
Pallet Pack	32,500 ea. (36 Cases)
FDA Approved	Yes
Industries	Food & Beverage



## Standard Features:

- 43mm Diameter
- Polypropylene material
- Gloss finish
- Dual Door – .225 Pour (3 hole)/Spoon Dispense
- 485 Neck finish
- Unique thumb detail for ease of opening
- Special cleanout rings prevent material from sifting through closed lid

## Options:

- Standard colors or matched to customer requirements
- Liners – provided to meet customer application

## Market Applications

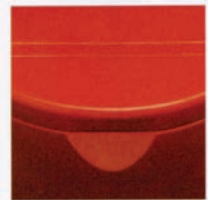
- **Food:** Non-dairy creamers, sugars, confectionary, spices, sweeteners
- **Chemical:** Household cleaners and deodorizers, insecticides, herbicides, fertilizers
- **Personal Care:** Bath salts, powders
- **Crafts:** Glitters, beads
- **Pet Foods:** Fish, small mammal, bird

## Packaging Information:

	Quantity	Dimensions	Weight
Carton	1300 pcs	22" x 16" x 15.3"	22 lbs
Pallet	36 cartons	48.5" x 45" x 96"	850 lbs

# 43 MM

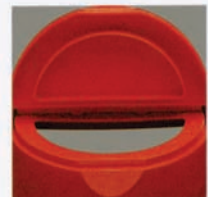
ELITE SERIES



Thumb detail

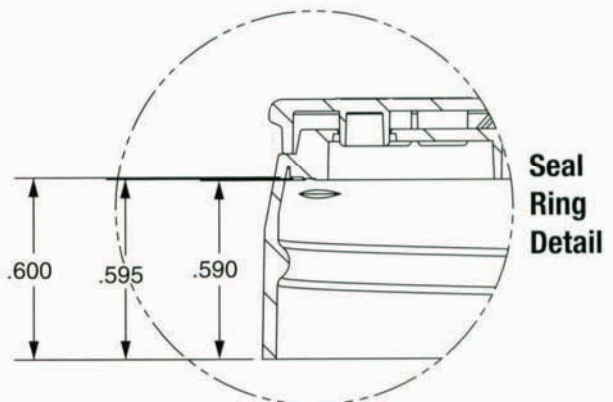
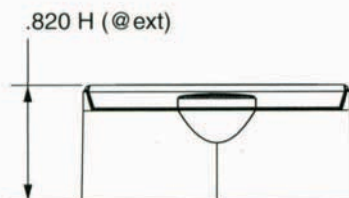
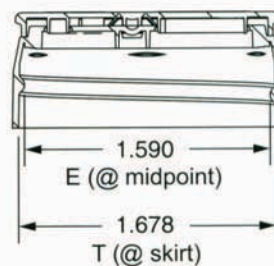
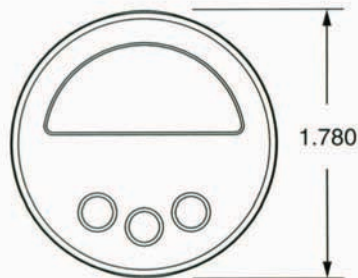


Cleanout rings



Large, convenient spoon dispense

Dimensions shown are approximate.



Seal Ring Detail



Supplied By: **The Cary Company**

Ph: 630-629-6600

www.thecarycompany.com