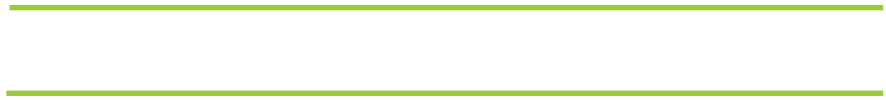


IF YOU...



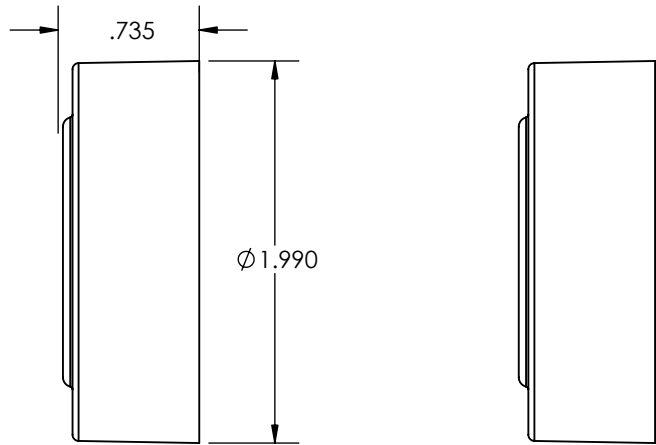
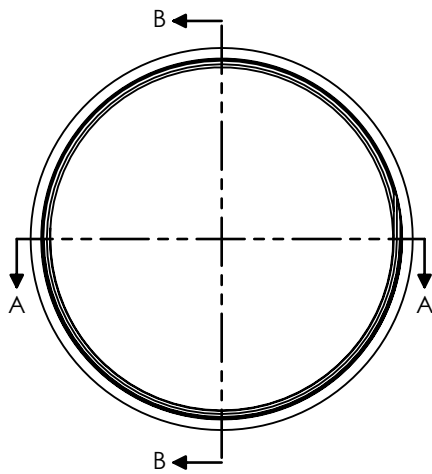
MIX IT. FILL IT. PACK IT. SHIP IT.

WE HAVE A PRODUCT FOR YOU

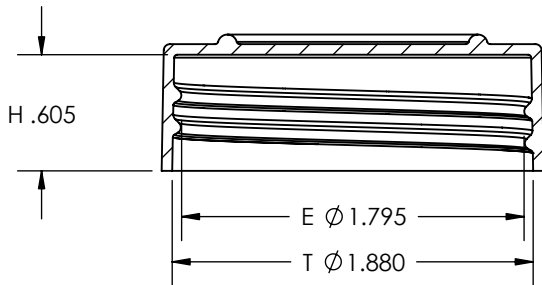


Part #	67WR49
Neck Width	48mm
Neck Finish	48-485
Cap Liner	Unlined - No Liner
Color	Red
Material	PP
Case Pack	1,200 ea.
Pallet Pack	42,000 ea. (35 Cases)
Case Weight	18 lbs.
Pallet Weight	675 lbs.
Case Dimensions	23.5"L x 15.75"D x 10.25"H
Industries	Food & Beverage

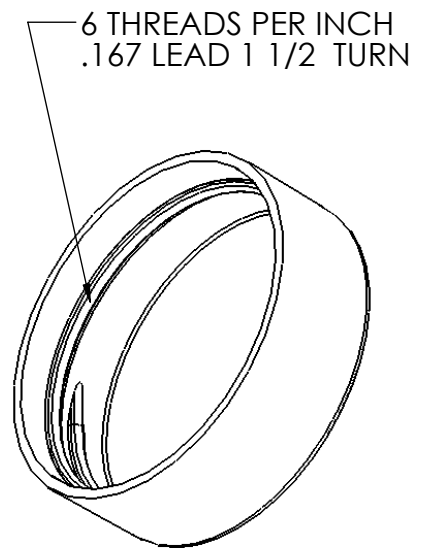




SECTION B-B



SECTION A-A



PH 630-629-6600 - FX 630-629-3690
 1195 W. FULLERTON AVE. - ADDISON, IL 60101
 WWW.THECARYCOMPANY.COM

PROPRIETARY AND CONFIDENTIAL

THE INFORMATION CONTAINED IN THIS DRAWING IS THE SOLE PROPERTY OF RELIABLE CAPS LLC. ANY REPRODUCTION IN PART OR AS A WHOLE WITHOUT THE WRITTEN PERMISSION OF RELIABLE CAPS LLC IS PROHIBITED.

		DIMENSIONS ARE IN INCHES TOLERANCES: FRACTIONAL ± ANGULAR: MACH ± BEND ± TWO PLACE DECIMAL ±.015 THREE PLACE DECIMAL ±.008
		MATERIAL
NEXT ASSY	USED ON	FINISH
APPLICATION		DO NOT SCALE DRAWING

NAME	DATE
DRAWN PRS	4/13/10
CHECKED	
ENG APPR.	
MFG APPR.	
Q.A.	
COMMENTS:	

Supplied By: The Cary Company Ph: 630-629-6600 www.thecarycompany.com	
48-485	
SIZE A	DWG. NO. 48-485 L
SCALE: 1:1	WEIGHT: SHEET 2 OF 2

REV.