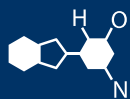


IF YOU...



MIX IT. FILL IT. PACK IT. SHIP IT.

WE HAVE A **PRODUCT** FOR YOU

Part #:67WT34

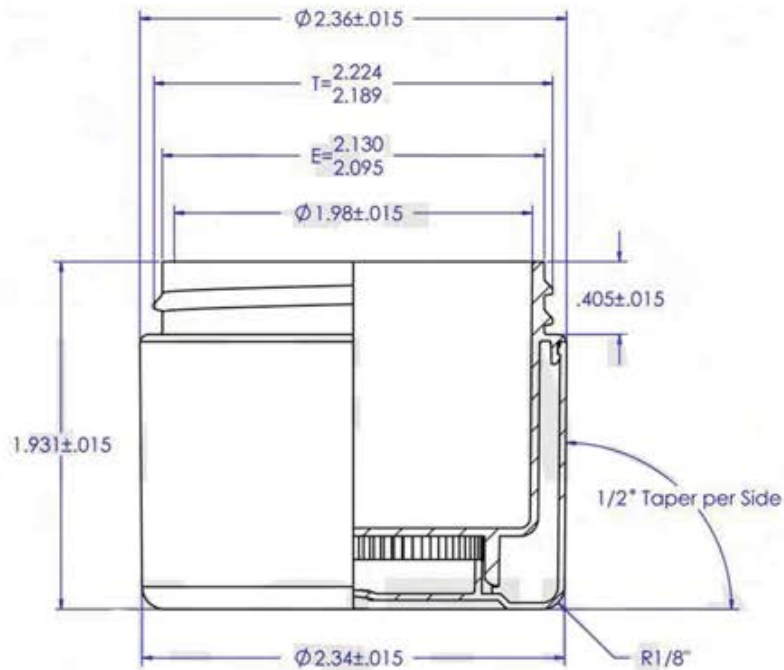
Plastic Straight Sided Jars

2 oz. Clear PS/White PP Plastic Jar, Double Wall,
Straight Sided, 58mm 58-400



The
CARYCOMPANY
Est. 1895

1195 W. Fullerton Ave. | Addison, IL 60101 | T: 630.629.6600 | F: 630.629.3690 | TheCaryCompany.com



DECORATION AREA
 WRAP: 7.125 inch
 HEIGHT: 1.125 inch
 DRAFT: 1/2° per Side

TOLERANCE		REV.	DATE	DESCRIPTION
DIM.	TOL.			
.00	.015			
.000	.010			

REVISIONS			
REV.	DATE	DESCRIPTION	

NAME	DATE
DRAWN W. OTT	04/18/2012
MATERIAL	PP/PS
APPROX WEIGHT:	22.3 grams
APPROX OVERFLOW:	73 ml
THREAD:	"M" STYLE, 6 TPI PITCH
COMMENTS:	

PART DESCRIPTION:
**2oz 58mm-400
 Double Wall
 Straight Base Jar**

SIZE: **A** PART CODE: **2-58-DS-WHPS** REV. **-**

OTHER: SCALE: 1:1 DO NOT SCALE DRAWING SHEET 1 OF 1