

THREAD DETAIL INFORMATION
6 THREADS PER INCH, 0.167 PITCH
45° (1 1/4 TURNS FULL DEPTH THREAD)

REFERENCE	TOLERANCE	DIMENSION	UNITS
T	±0.010 [0.25]	1.635 [41.53]	in [mm]
E	±0.010 [0.25]	1.545 [39.24]	in [mm]
I	±0.010 [0.25]	1.455 [36.96]	in [mm]
S'	±0.015 [0.38]	0.099 [2.51]	in [mm]
H	±0.010 [0.25]	0.400 [10.16]	in [mm]
OAH	±0.015 [0.38]	1.610 [40.89]	in [mm]
MAXIMUM OD	±0.010 [0.25]	1.760 [44.70]	in [mm]
PART WEIGHT	±1.50	18.50	g
FILL VOLUME	±5%	1.35 [40.0]	oz [cc]

STATIC TORQUE RECOMMENDATION
17-27 in-lbs
 THIS REQUIREMENT MAY VARY DEPENDING UPON BOTTLE MATERIAL, NECK FINISH, AND CAPPING EQUIPMENT

DRAWING TYPE : **CUSTOMER**

REPLACES DRAWINGS:
 J-4007

DIMENSIONS ENCLOSED IN () INDICATE REFERENCE DIMENSIONS AND NO TOLERANCE LIMITS ARE ESTABLISHED

TOLERANCES UNLESS OTHERWISE SPECIFIED

DIMENSION (inches)	TOLERANCE	DIMENSION (mm)	TOLERANCE
0-0.787	±0.006	0-20	±0.152
0.788-1.181	±0.008	21-30	±0.203
1.182-2.756	±0.012	31-70	±0.305
2.757-3.937	±0.016	71-100	±0.406
3.938-5.096	±0.020	101-150	±0.508
5.097-7.874	±0.024	151-200	±0.610
7.875-9.843	±0.032	201-250	±0.813

ANGULAR TOLERANCE ± 2°

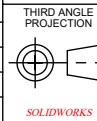
PROPRIETARY AND CONFIDENTIAL

THE CLOSURE DIMENSIONS DEPICTED ARE THOSE WHICH HAVE GENERALLY BEEN FOUND TO BE FUNCTIONAL BASED ON INDUSTRY EXPERIENCE BECAUSE OF VARIABILITY IN GLASS AND PLASTIC CONTAINER FINISHES, EACH CLOSURE/FINISH SYSTEM SHOULD BE INDIVIDUALLY EVALUATED AND TESTED TO ENSURE IT MEETS APPLICABLE PERFORMANCE CRITERIA. SEE QUALITY ASSURANCE SPECIFICATIONS FOR ADDITIONAL INFORMATION.

THE CARY COMPANY RESERVES THE RIGHT TO REVISE ANY OR ALL SPECIFICATIONS AND REQUIREMENTS.

The **CARY COMPANY**
 Est. 1895

67WT47



DISTRIBUTION CODE
D

DRAWING NAME
1oz 43mm Jar Thick Wall PS

DRAWING NUMBER
CQA - 10771

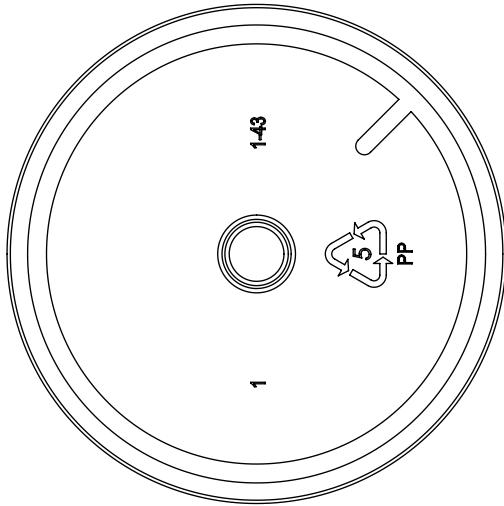
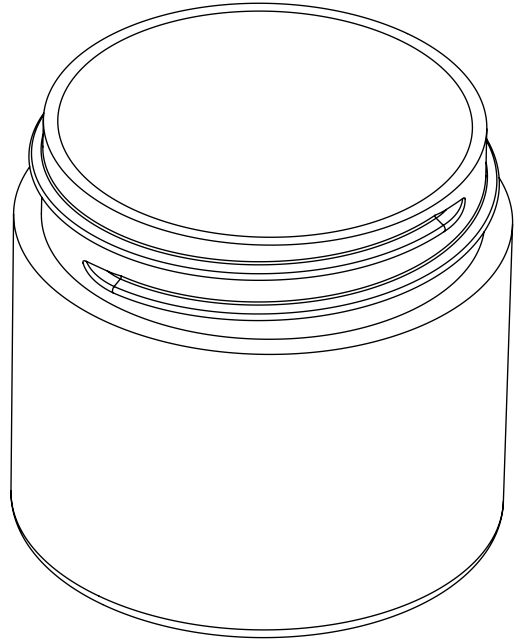
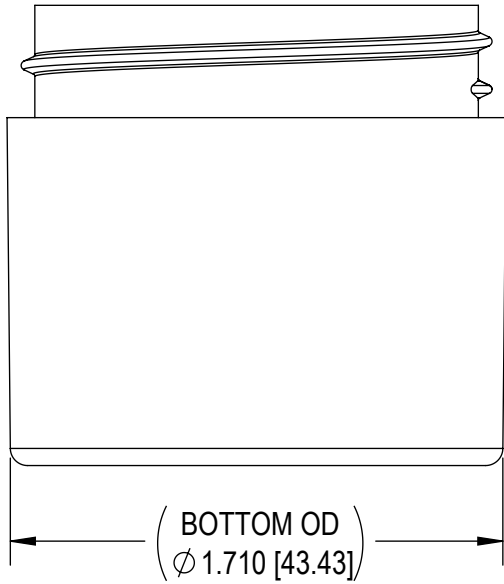
MATERIAL
POLYSTYRENE

MODEL NUMBER:
PM 11081 1oz 43mm Jar

DRAWN BY:	DAS	12/4/2017
ENG APPR.	JDM	12/21/2017
QA APPR.	REL	01/19/2018

SCALE	SHEET SIZE	SHEET	REV NP
1:1	8.5in*11in	1 of 2	00.AA

DATE	REV	N/P	DESCRIPTION	ENG	DRWN
12/04/2017	00	AA	UPDATE DRAWING FORMAT, AND ASSIGNED NEW DRAWING NUMBER. CORRECTED OAH TOLERANCE (WAS ±0.010") & "I" DIMENSION (WAS 1.440") BASED ON VALIDATION. NO STEEL OR PROCESS WAS CHANGED.	JDM	DAS

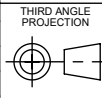


THE CLOSURE DIMENSIONS DEPICTED ARE THOSE WHICH HAVE GENERALLY BEEN FOUND TO BE FUNCTIONAL BASED ON INDUSTRY EXPERIENCE BECAUSE OF VARIABILITY IN GLASS AND PLASTIC CONTAINER FINISHES, EACH CLOSURE/FINISH SYSTEM SHOULD BE INDIVIDUALLY EVALUATED AND TESTED TO ENSURE IT MEETS APPLICABLE PERFORMANCE CRITERIA. SEE QUALITY ASSURANCE SPECIFICATIONS FOR ADDITIONAL INFORMATION.

THE CARY COMPANY RESERVES THE RIGHT TO REVISE ANY OR ALL SPECIFICATIONS AND REQUIREMENTS.

DRAWING TYPE : CUSTOMER			
REFERENCES: 430101, 430103		DIMENSIONS ENCLOSED IN () INDICATE REFERENCE DIMENSIONS AND NO TOLERANCE LIMITS ARE ESTABLISHED	
TOLERANCES UNLESS OTHERWISE SPECIFIED			
DIMENSION (inches)	TOLERANCE	DIMENSION (mm)	TOLERANCE
0-0.787	±0.006	0-20	±0.152
0.788-1.181	±0.008	21-30	±0.203
1.182-2.756	±0.012	31-70	±0.305
2.757-3.937	±0.016	71-100	±0.406
3.938-5.096	±0.020	101-150	±0.508
5.097-7.874	±0.024	151-200	±0.610
7.875-9.843	±0.032	201-250	±0.813
ANGULAR TOLERANCE ± 2°			
PROPRIETARY AND CONFIDENTIAL			

The **CARY COMPANY**
Est. 1895



SOLIDWORKS

DISTRIBUTION CODE
D

DRAWING NAME 1oz 43mm Jar Thick Wall PS			
DRAWING NUMBER CQA - 10771			
MATERIAL POLYSTYRENE			
MODEL NUMBER: PM 11081 1oz 43mm Jar			
SCALE	SHEET SIZE	SHEET	REV.NP
3:2	8.5 X 11	2 of 2	00.AA

DRAWN BY.	DAS	12/4/2017
ENG APPR.	JDM	12/21/2017
QA APPR.	REL	01/19/2018