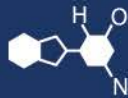


# IF YOU...



MIX IT. FILL IT. PACK IT. SHIP IT.

# WE HAVE A PRODUCT FOR YOU

Part #: 67WT53

---

---

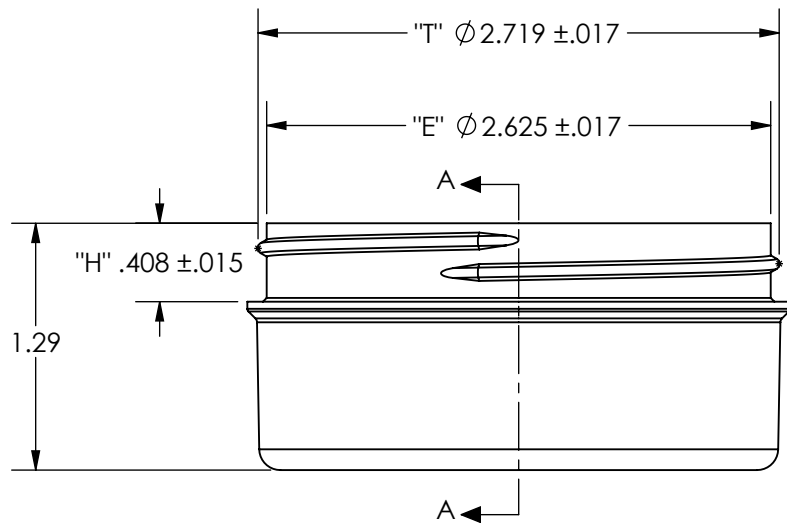


---

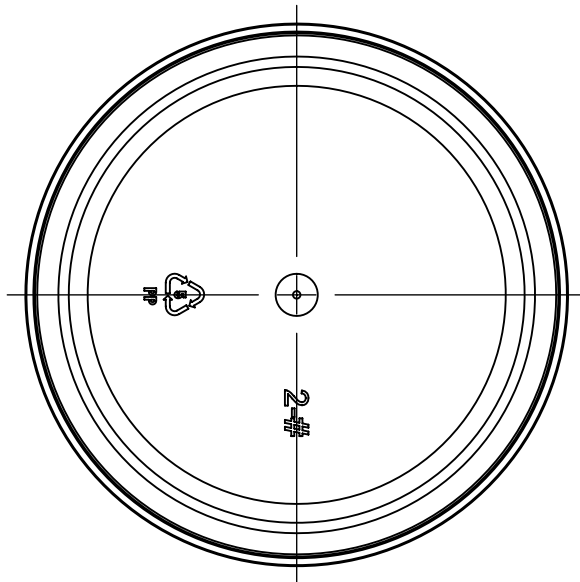
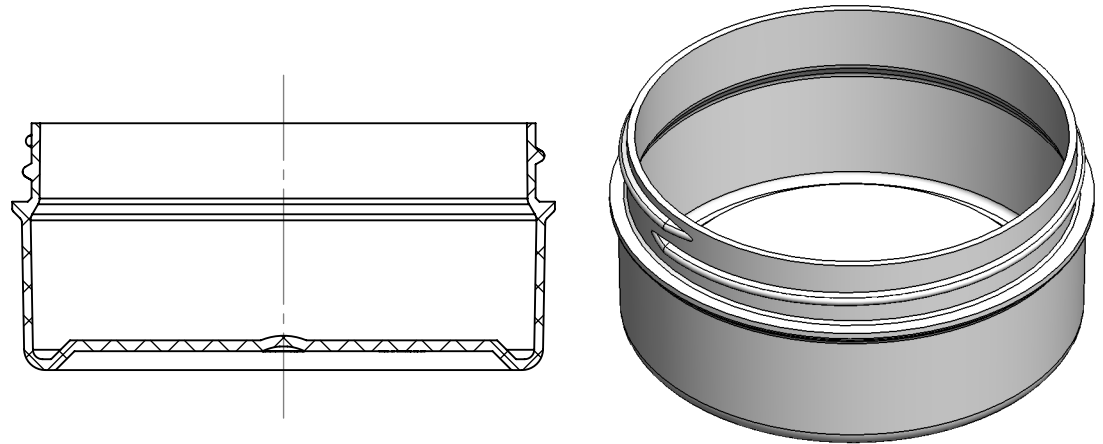
The  
**CARY**COMPANY  
Est. 1895

1195 W. Fullerton Ave. | Addison, IL 60101 | T: 630.629.6600 | F: 630.629.3690 |

NOTE:



SECTION A:A



The  
**CARY** COMPANY  
Est. 1895

DRAWING NAME: PART DWG - JSL0270PP - MSH004-008			
PART NAME: 2oz 70mm Style Line Jar		PART #: JSL0270PP : MSH004-008	
		REV: B	
P: 630-629-6600   F: 630-629-3690 1195 W. Fullerton Ave. Addison, IL 60101 www.thecarycompany.com		2011	BY: DATE:
		DRAWN	S.B. 4/13/2011
		CHECKED	S.B. 1/12/2012
		APPROVED	S.B. 1/12/2012
THREAD PITCH: 6 T.P.I.		# OF THREAD TURNS: 1 TURNS	TOLERANCES (UNLESS SPECIFIED)
JAR DRAFT (SIDE WALL): 1° Degrees		PROJECTED COSMETIC FILL: 63 (±4) M L 2.1 (±.14) OZ	DIMENSIONS ARE IN INCHES .00 = ± .015 .000 = ± .010
GATE LOCATION: EXTERIOR CENTER		PROJECTED OVERFLOW: 98 (±4) M L 3.3 (±.14) OZ	ANGULAR TOLERANCE ± 1/2 DEGREE
MATERIAL: POLYPROPYLENE		# OF THREAD TURNS: 12.5 Grams (±5%)	THIRD ANGLE PROJECTION
		SHEET SCALE: FULL	SHEET SIZE: A